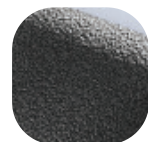


Monkey Tail Handle



Features

- **Elegant design inspired by 19th century ironmongery**
Classic finish to a heritage window
- **Strength tested to equivalent of a modern espagnolette window handle**
Strong espagnolette operator
- **Manufactured from die-cast zinc with specially formulated finish**
Harder wearing finish than traditional wrought iron furniture
- **Classic design with a contemporary twist**
Create an elegant and stylish window
- **Key locking**
Security enabled
- **Matching Monkey Tail Dummy Stay available**
Create a perfectly matching heritage window
- **Supplied with colour coordinated screws**
Perfectly matching hardware, even down to the smallest detail



Antique
Black

Monkey Tail Handle

Technical Information

Corrosion resistance

Meets the requirements of BS EN 1670:2007 Grade 5 (480 hours)

Operation

Endurance tested in excess of 25,000 cycles

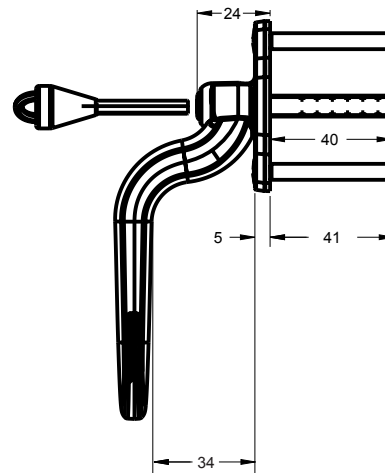
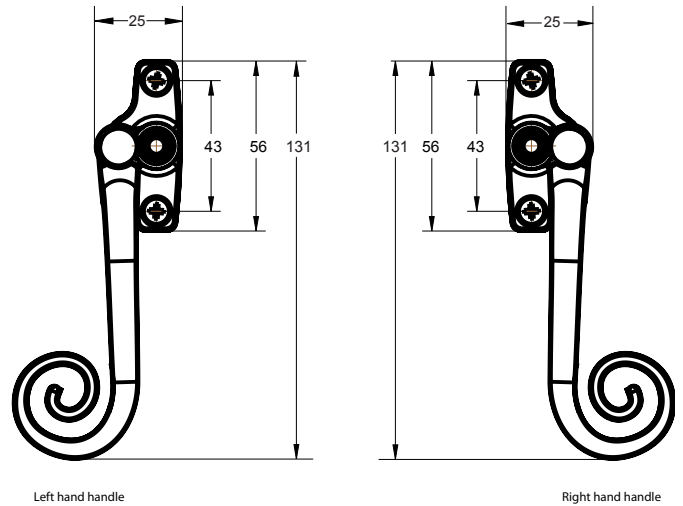
Material Specification

Handle Grip and Backplate: High quality Zinc

Coatings: Antique Black

Maintenance

For continued protection of the quality finish and appearance, we advise routine cleaning of all our external hardware. Moving parts should also be lightly lubricated at least twice a year. This procedure is particularly essential if products are used within a 25-mile radius of coastal areas or close proximity to building sites or large industrial areas, where more frequent cleaning may be required to prevent the accumulation of corrosive contaminants.



All dimensions are in mm and are nominal.
ERA reserves the right to change specification without notice.
It is the responsibility of the window manufacturer to ensure that the finished product meets any required safety and performance specification.