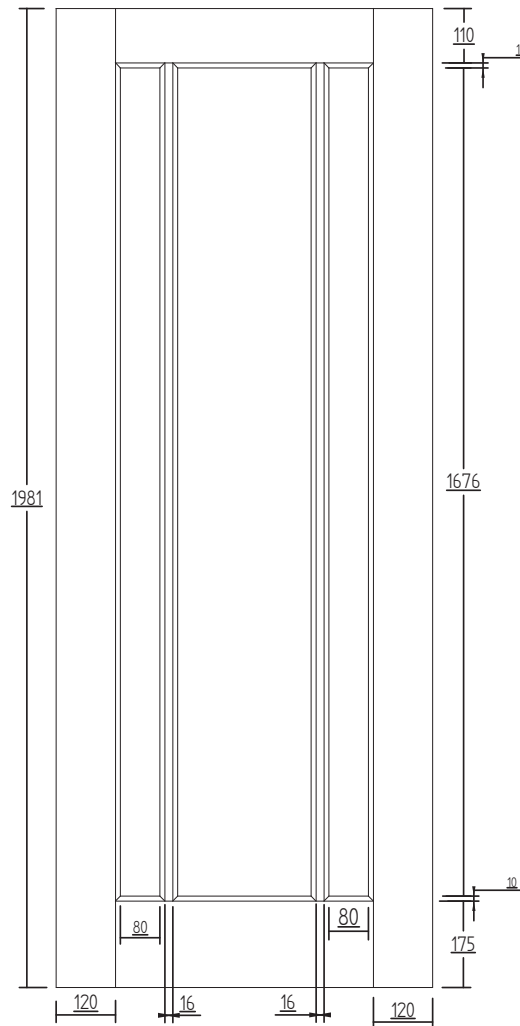


# WORCESTER

## WHITE OAK 3 PANEL

### – INTERNAL DOOR



## SPECIFICATIONS

### Veneer Species:

American white oak

### Veneer Thickness:

0.6mm

### Edge Lippings:

10mm KSK

### Top & Bottom Lippings:

10mm KSK

### Panel Thickness:

10mm Particle board

### Moulding Size & Profile:

10mm Ovolo

### Stile & Rail Core:

Particle board

### Construction:

Tongue & groove joint with dowel and glue

### Glazing:

N/A

### Packaging:

Shrinkwrap with plastic edge corner protectors.

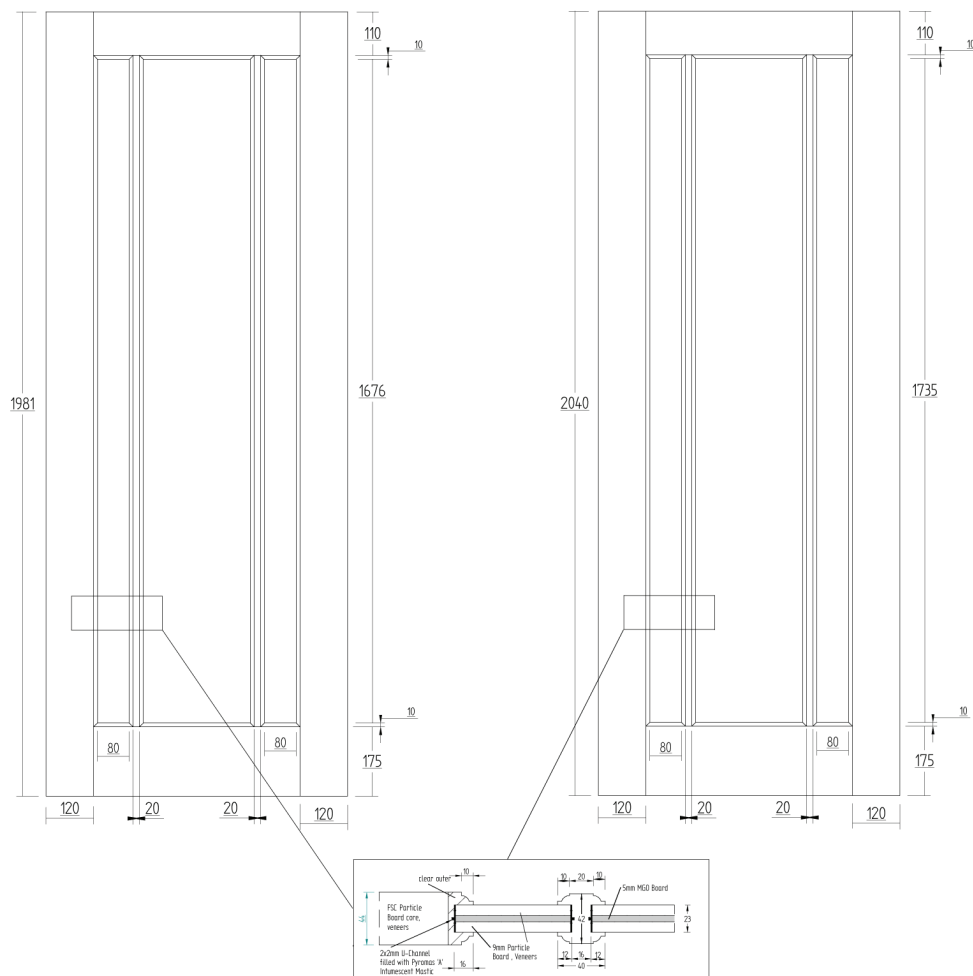
A4 paper fitting instruction



5 year guarantee  
against manufacturing  
defects

# WORCESTER

## WHITE OAK 3 PANEL FD30 44mm – INTERNAL FIRE DOOR



### SPECIFICATIONS

**Veneer Species:**

American white oak

**Veneer Thickness:**

0.6mm

**Edge Lippings:**

15mm American white oak

**Top & Bottom Lippings:**

15mm American white oak

**Panel Thickness:**

10mm Particle board

**Moulding Size & Profile:**

10mm Ovolo

**Stile & Rail Core:**

Particle board

**Construction:**

Tongue & groove joint with dowel and glue

**Glazing:**

N/A

**Packaging:**

Shrinkwrap with plastic edge corner protectors.

A4 paper fitting instruction.

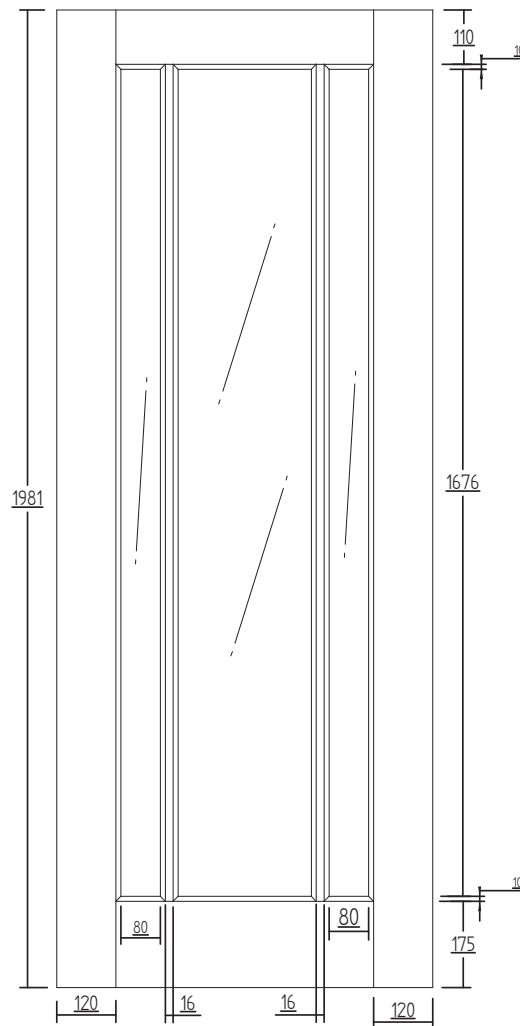
BWF-Certifire label to top edge



5 year guarantee against manufacturing defects

# WORCESTER

## WHITE OAK 3 LIGHT CLEAR GLAZED – INTERNAL DOOR



### SPECIFICATIONS

**Veneer Species:**

American white oak

**Veneer Thickness:**

0.6mm

**Edge Lippings:**

10mm AKSK

**Top & Bottom Lippings:**

10mm KSK

**Panel Thickness:**

10mm Particle board

**Moulding Size & Profile:**

10mm Ovolo

**Stile & Rail Core:**

Particle board

**Construction:**

Tongue & groove joint with dowel and glue

**Glazing:**

4mm clear toughened with paint & peel film

**Packaging:**

Shrinkwrap with plastic edge corner protectors.

A4 paper fitting instruction



5 year guarantee  
against manufacturing  
defects