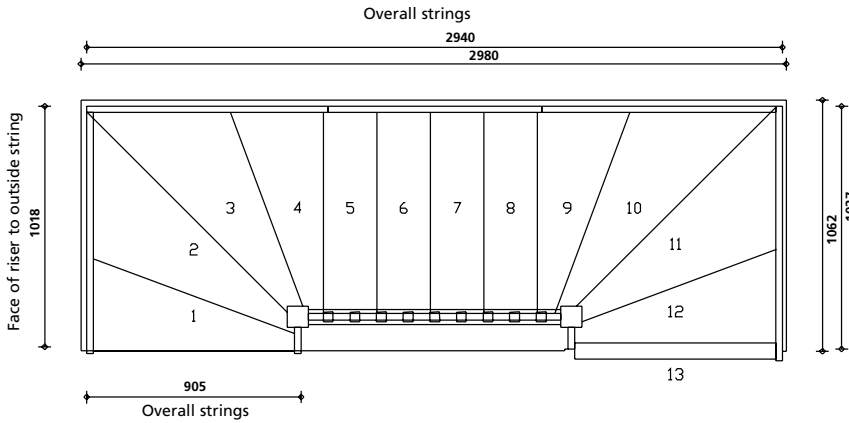


Popular Design Layouts

If required, our team of stair specialists is always on hand to offer help, and advise on any aspect of stair design or construction or Part 'K' of the Building Regulations. They can be contacted on 01664 484613 or fax 01664 484582.



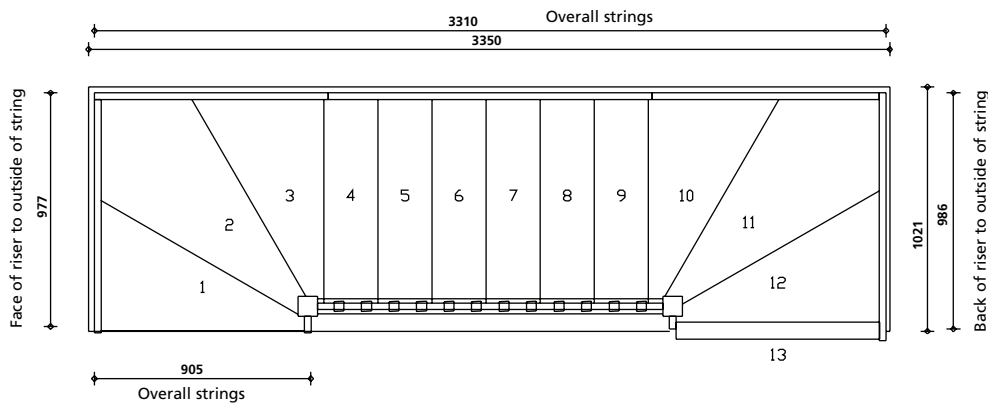
Stairwell Opening
2980 x 1062



Made-to-measure
Service

Stair Layout N° 1

PRODUCT CODE	SLW44W4N
STOREY HEIGHT	2588
RISE	199.07
GOING	226
WIDTH OVER STRING(S)	1 = 905 2 = 905 3 = 905



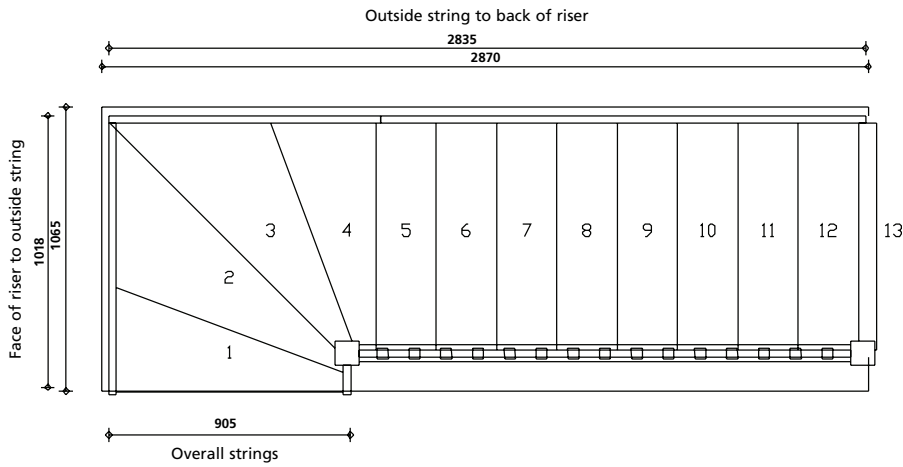
Stairwell Opening
3350 x 1021



Made-to-measure
Service

Stair Layout N° 2

PRODUCT CODE	SLW36W3N
STOREY HEIGHT	2588
RISE	199.07
GOING	226
WIDTH OVER STRING(S)	1 = 905 2 = 905 3 = 905



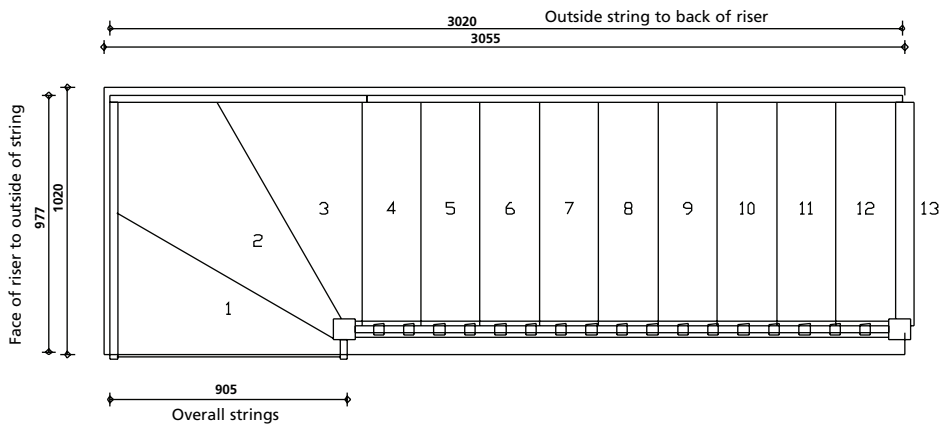
Stairwell Opening
2870 x 1065

Stair Layout N° 3



Made-to-measure
Service

PRODUCT CODE	SLW48N
STOREY HEIGHT	2588
RISE	199.07
GOING	226
WIDTH OVER STRING(S)	1 = 905 2 = 905



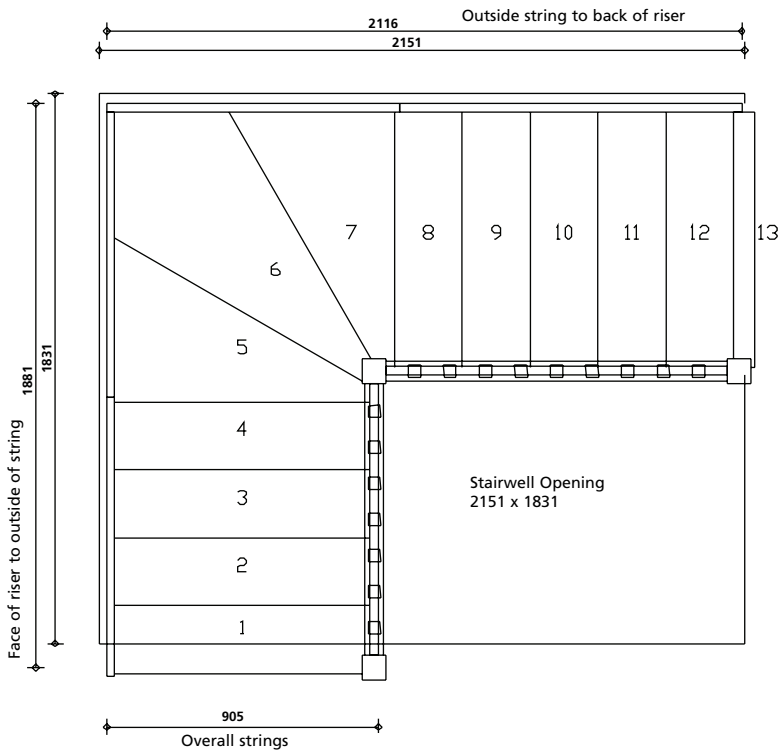
Stairwell Opening
3055 x 1020

Stair Layout N° 4



Made-to-measure
Service

PRODUCT CODE	SL3W3SW33N
STOREY HEIGHT	2588
RISE	199.07
GOING	226
WIDTH OVER STRING(S)	1 = 905 2 = 905 3 = 905

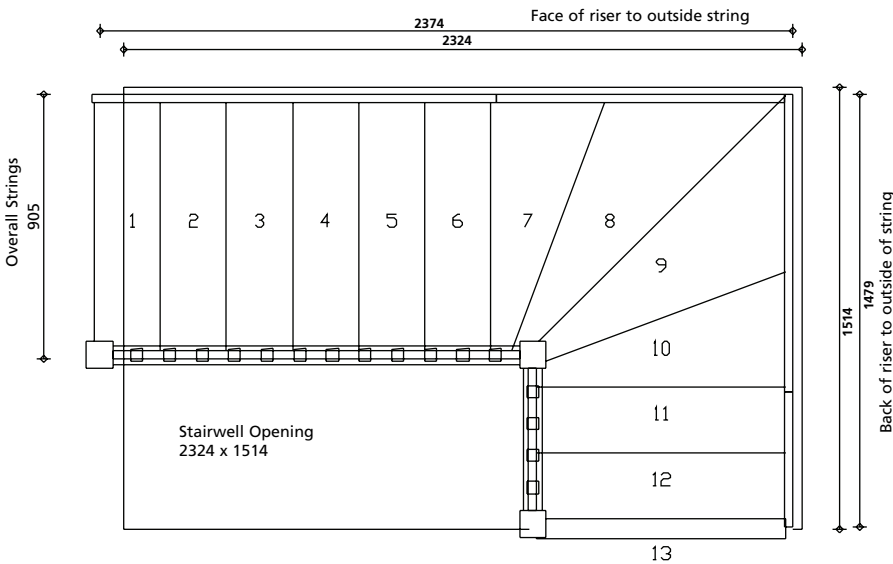


Stair Layout N° 5

PRODUCT CODE	SL4W35N
STOREY HEIGHT	2588
RISE	199.07
GOING	226
WIDTH OVER STRING(S)	1 = 905 2 = 905



Made-to-measure Service

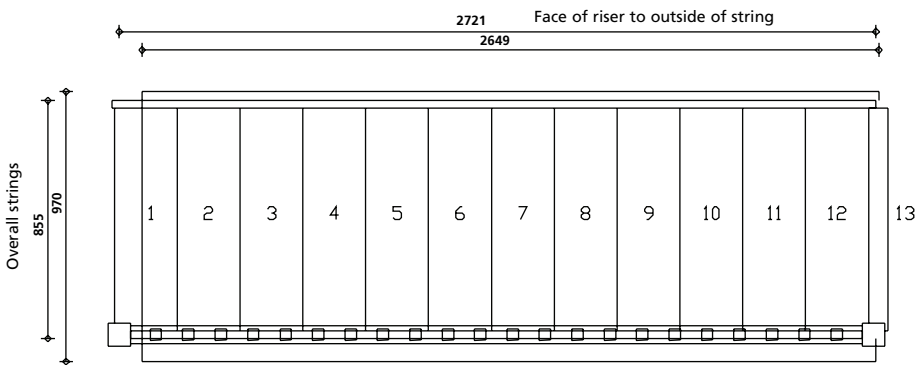


Stair Layout N° 6

PRODUCT CODE	SL6W42N
STOREY HEIGHT	2588
RISE	199.07
GOING	226
WIDTH OVER STRING(S)	1 = 905 2 = 905



Made-to-measure Service



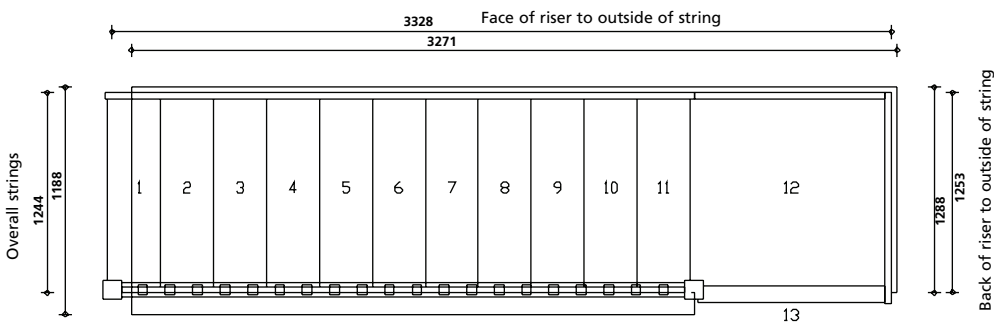
Stairwell Opening
2649 x 970



Made-to-measure
Service

Stair Layout N° 7

PRODUCT CODE	SL12N
STOREY HEIGHT	2588
RISE	199.07
GOING	226
WIDTH OVER STRING(S)	1 = 855



Stairwell Opening
3271 x 970 (Pack trimmer
90mm to back of riser)

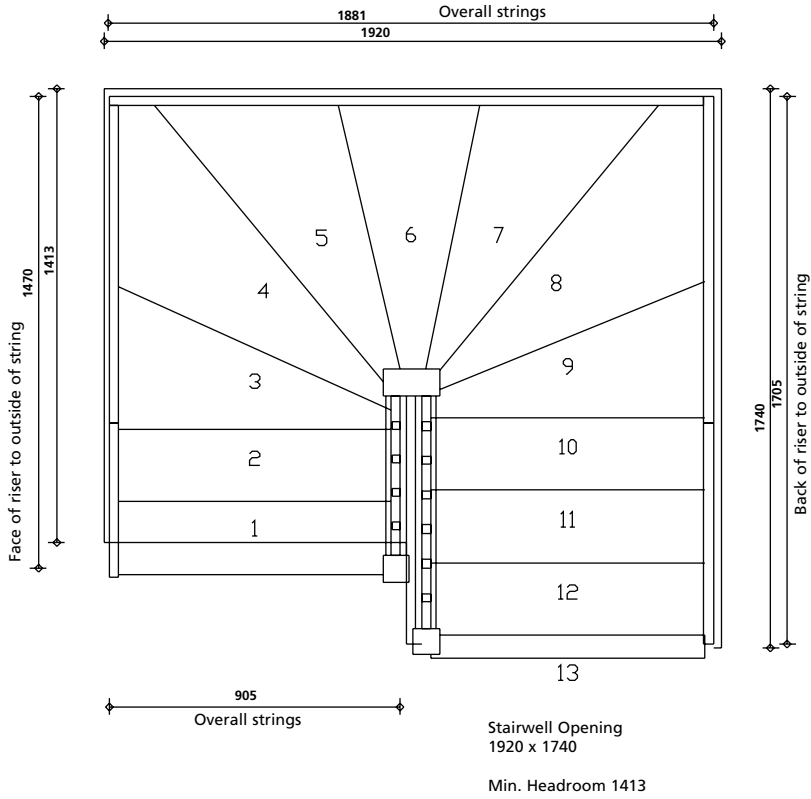
Min. Headroom 1188



Made-to-measure
Service

Stair Layout N° 8

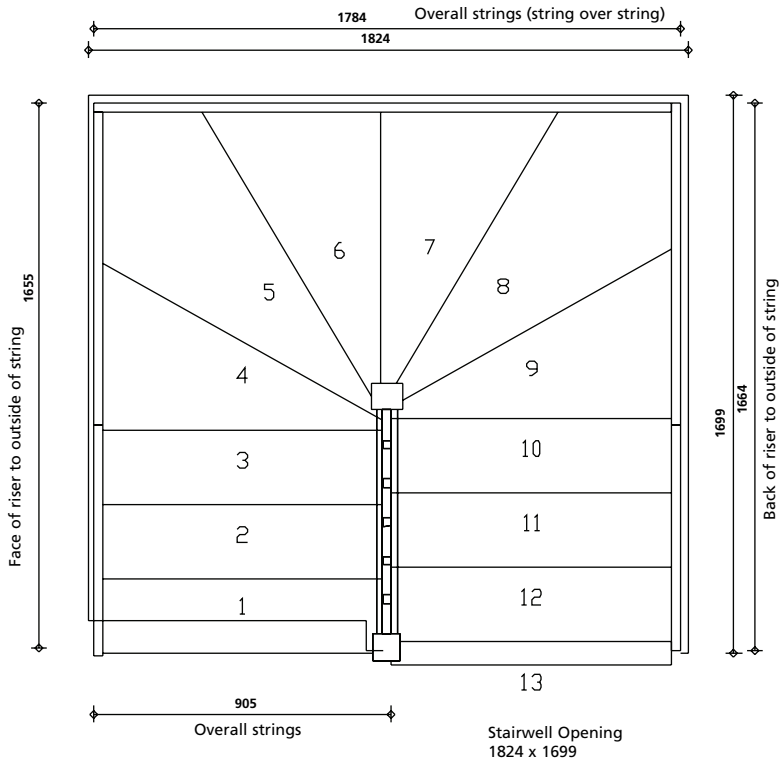
PRODUCT CODE	SL11QLN
STOREY HEIGHT	2588
RISE	199.07
GOING	226
WIDTH OVER STRING(S)	1 = 855 2 = 855



Made-to-measure Service

Stair Layout N° 9

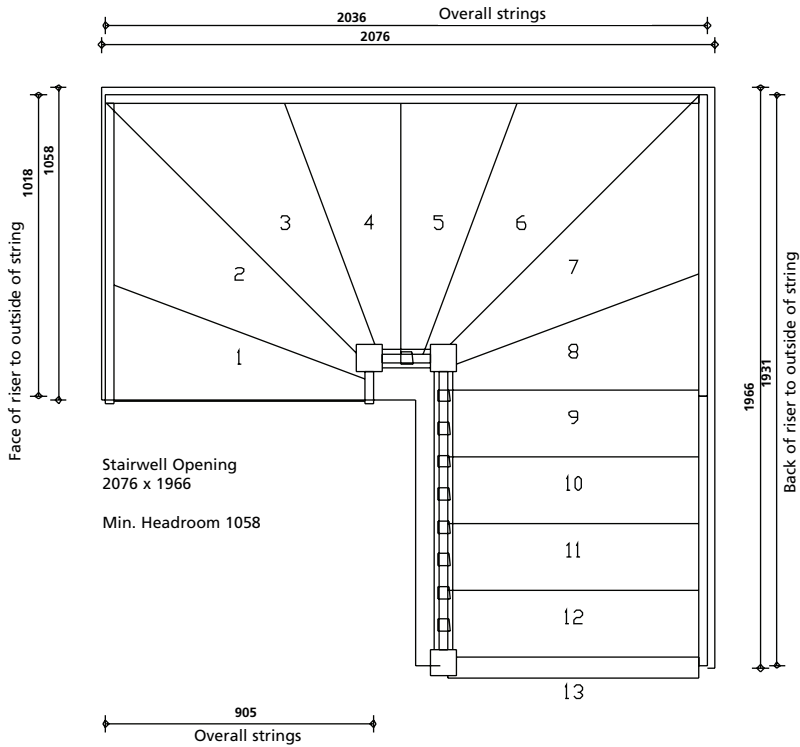
PRODUCT CODE	SL2W4DW33N
STOREY HEIGHT	2588
RISE	199.07
GOING	226
WIDTH OVER STRING(S)	1 = 905 2 = 905 3 = 905



Made-to-measure Service

Stair Layout N° 10

PRODUCT CODE	SL3W3SW33N
STOREY HEIGHT	2588
RISE	199.07
GOING	226
WIDTH OVER STRING(S)	1 = 905 2 = 905 3 = 905



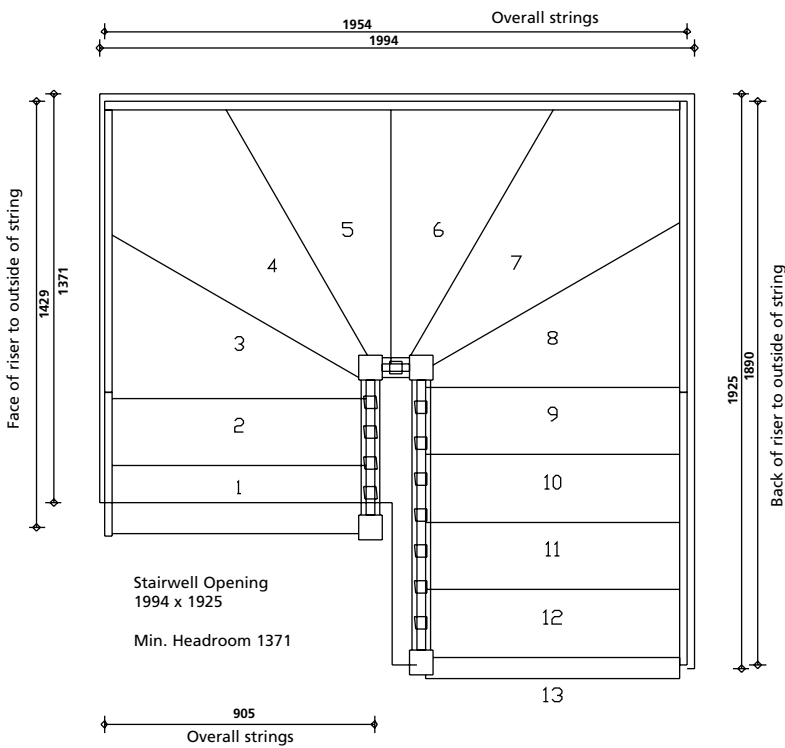
Made-to-measure
Service

Stair Layout N° 11

PRODUCT CODE	SLW4W44N
STOREY HEIGHT	2588
RISE	199.07
GOING	226
WIDTH OVER STRING(S)	1 = 905 2 = 905 3 = 905

Stairs

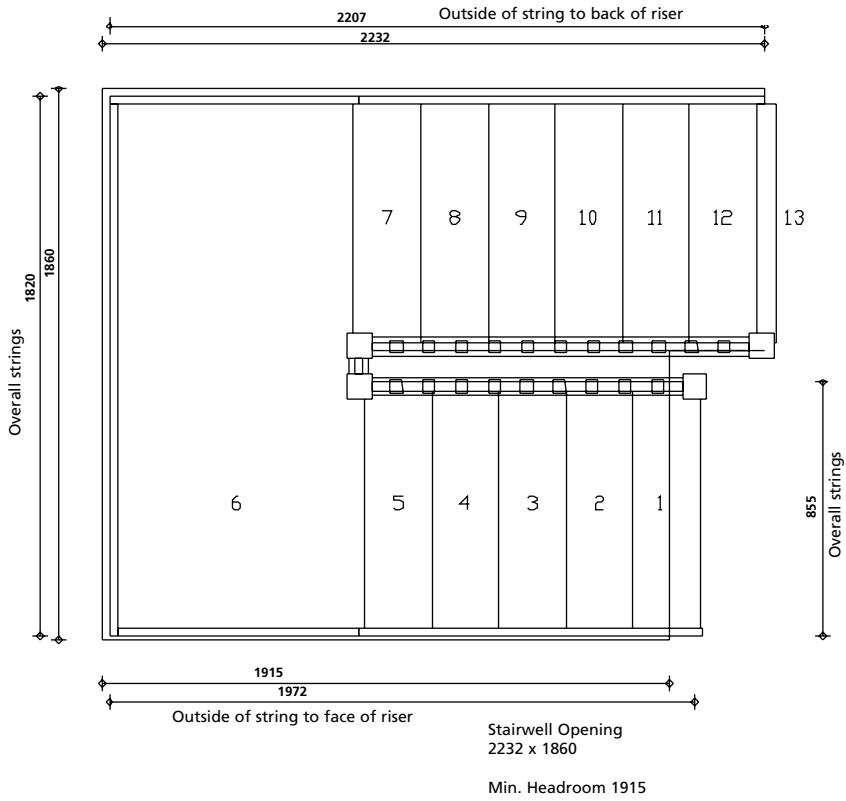
Stair Layouts



Made-to-measure
Service

Stair Layout N° 12

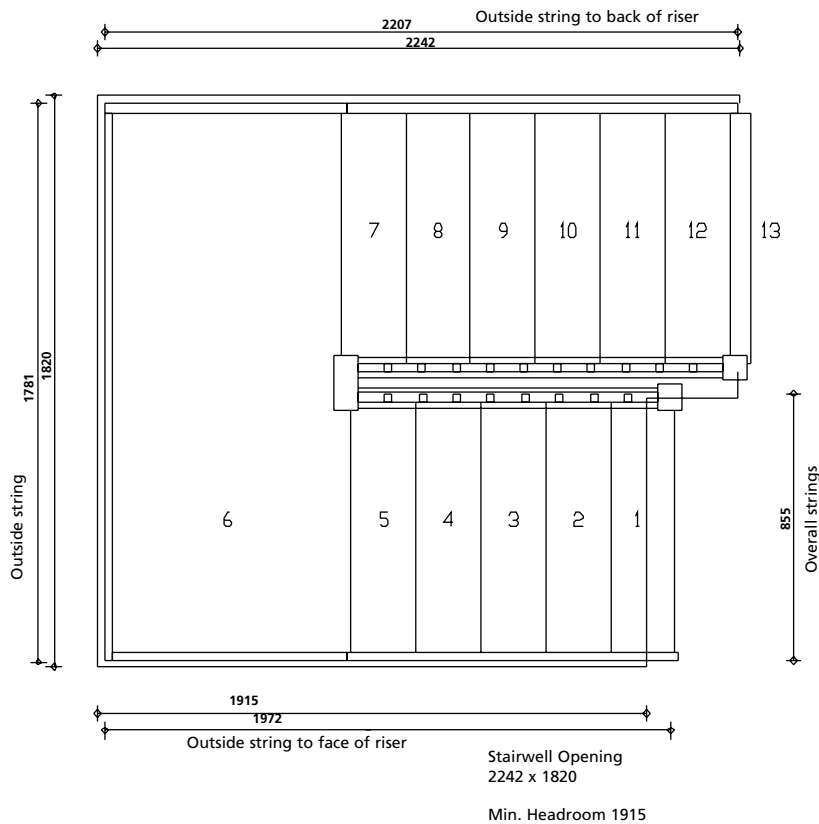
PRODUCT CODE	SL2W3W34N
STOREY HEIGHT	2588
RISE	199.07
GOING	226
WIDTH OVER STRING(S)	1 = 905 2 = 905 3 = 905



Made-to-measure Service

Stair Layout N° 13

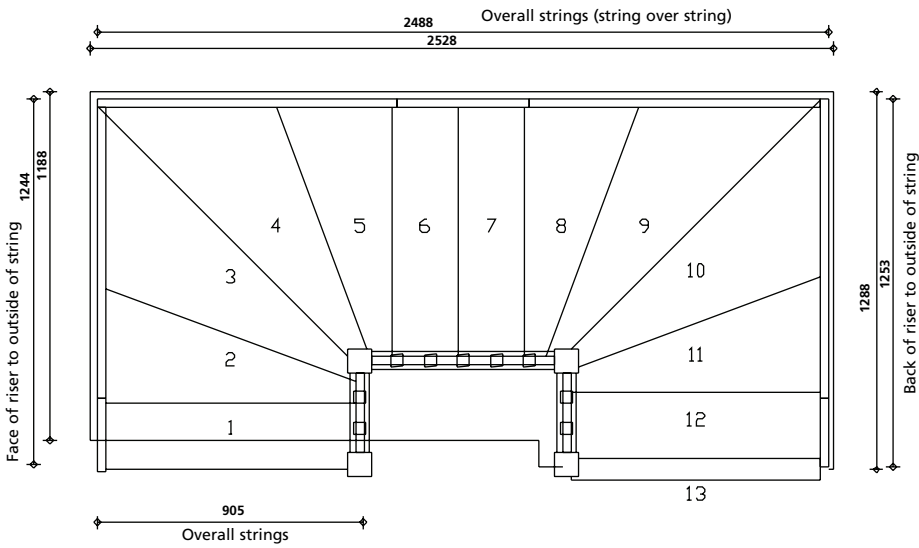
PRODUCT CODE	SL5HL6N
STOREY HEIGHT	2588
RISE	199.07
GOING	226
WIDTH OVER STRING(S)	1 = 855 2 = 855 3 = 855



Made-to-measure Service

Stair Layout N° 14

PRODUCT CODE	SL5HLD6N
STOREY HEIGHT	2588
RISE	199.07
GOING	226
WIDTH OVER STRING(S)	1 = 855 2 = 855 3 = 855



Stairwell Opening
2528 x 1288
Min. Headroom 1188



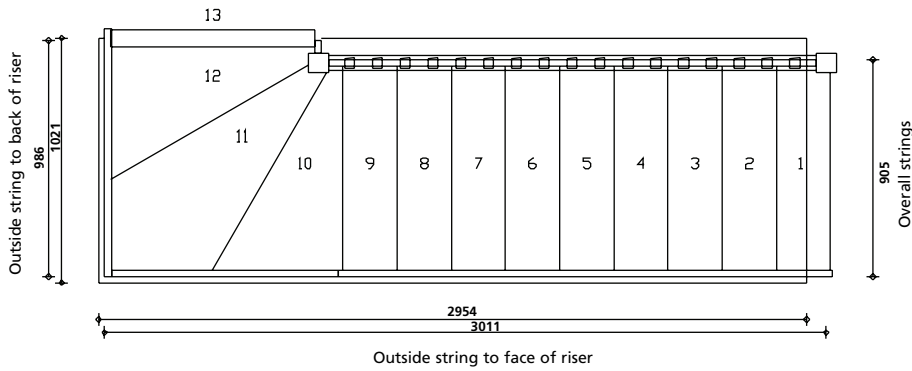
Made-to-measure
Service

Stair Layout N° 15

PRODUCT CODE	SL1W42W41N
STOREY HEIGHT	2588
RISE	199.07
GOING	226
WIDTH OVER STRING(S)	1 = 905 2 = 905 3 = 905

Stairs

Stair Layouts



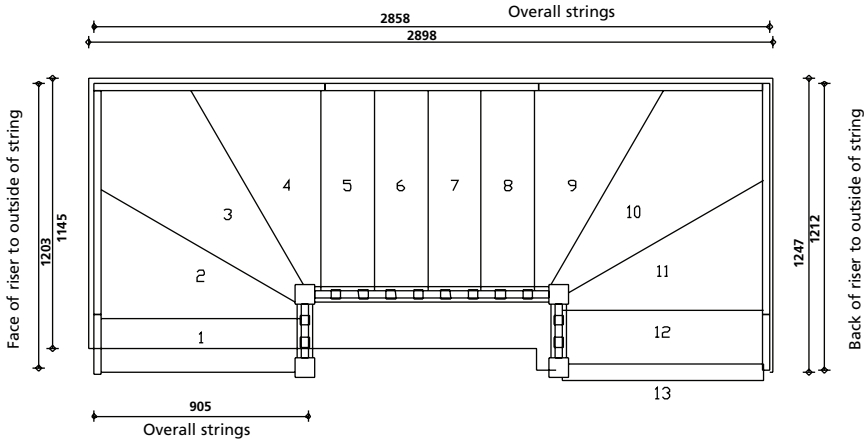
Stairwell Opening
2954 x 1021



Made-to-measure
Service

Stair Layout N° 16

PRODUCT CODE	SL9W3N
STOREY HEIGHT	2588
RISE	199.07
GOING	226
WIDTH OVER STRING(S)	1 = 905 2 = 905



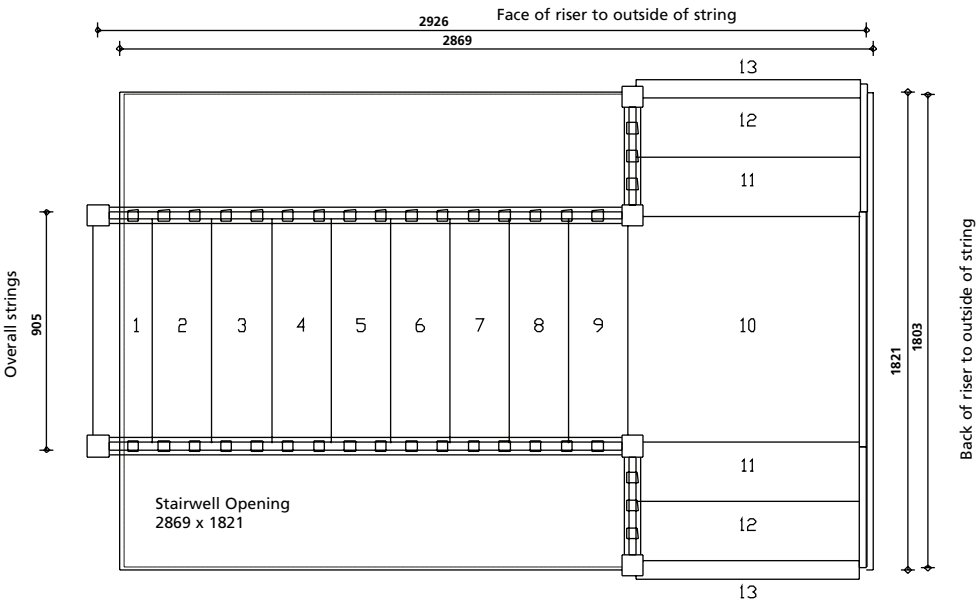
Stairwell Opening
2989 x 1247
Min. Headroom 1145



Made-to-measure Service

Stair Layout N° 17

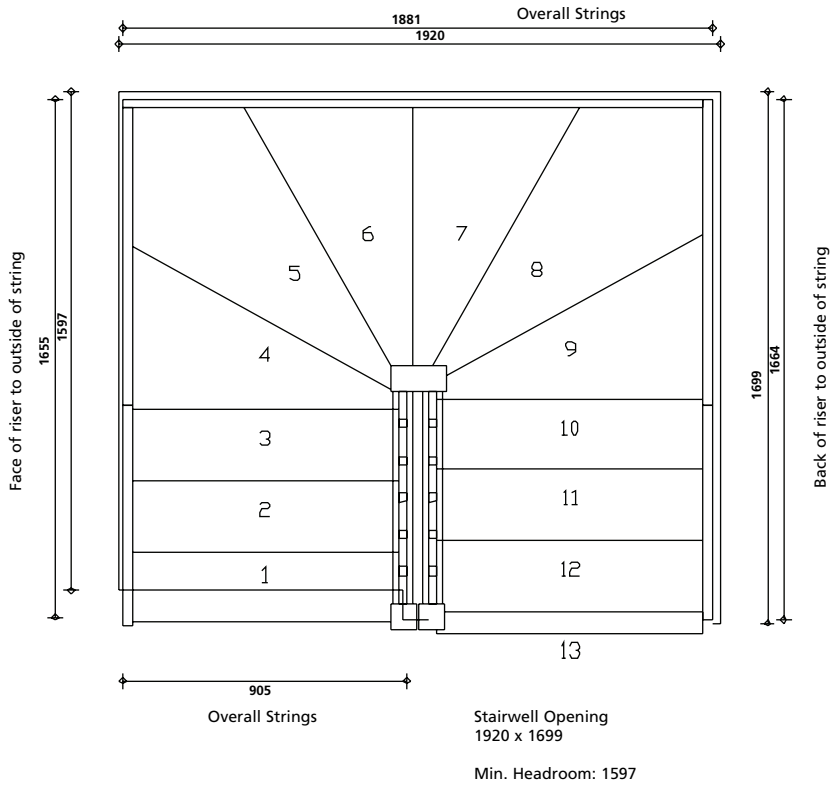
PRODUCT CODE	SL1W34W31N
STOREY HEIGHT	2588
RISE	199.07
GOING	226
WIDTH OVER STRING(S)	1 = 905 2 = 905 3 = 905



Made-to-measure Service

Stair Layout N° 18

PRODUCT CODE	SL9QL(T-SHAPE)2N
STOREY HEIGHT	2588
RISE	199.07
GOING	226
WIDTH OVER STRING(S)	1 = 905 2 = 905



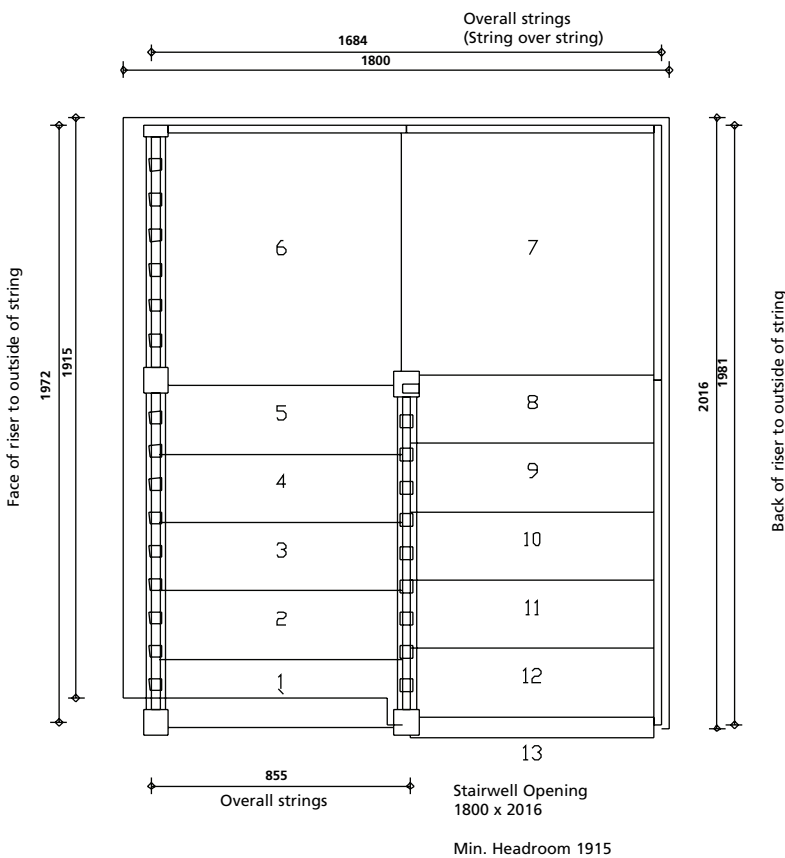
Made-to-measure Service

Stair Layout N° 19

PRODUCT CODE	SL3W3DW33N
STOREY HEIGHT	2588
RISE	199.07
GOING	226
WIDTH OVER STRING(S)	1 = 905 2 = 905 3 = 905

Stairs

Stair Layouts



Made-to-measure Service

Stair Layout N° 20

PRODUCT CODE	SL5QLSQL5N
STOREY HEIGHT	2588
RISE	199.07
GOING	226
WIDTH OVER STRING(S)	1 = 855 2 = 855 3 = 855

Popular Stair Specifications



Specification A & B

A Redwood string with ply risers and MDF treads, combined with the following:-

- **Left Hand Side - A**
Turned newel with ball cap and 41mm Colonial spindles all in Hemlock with softwood handrail
- **Right Hand Side - B**
Square newel with projecting cap and 27mm Stop Chamfered spindles all in Hemlock with softwood handrail



Specification C & D

A Oak string with Oak risers and treads, combined with the following:-

- **Left Hand Side - C**
Turned newel with ball cap and 41mm Colonial spindles all in Oak with Oak handrail
- **Right Hand Side - D**
Square newel with projecting cap and 41mm Stop Chamfered spindles all in Oak with softwood Oak handrail



Specification E & F

A Primed softwood string with ply risers and MDF treads, combined with the following:-

- **Left Hand Side - E**
3 coat part finished turned newel with ball cap and 41mm Colonial spindles with softwood handrail
- **Right Hand Side - F**
3 coat part finished square newel with projecting cap and 27mm Stop Chamfered spindles with softwood handrail

Specifications A, B, C and D are shown with a clear finish applied. All components are supplied unfinished.