

JELD-WEN  
WINDOWS & DOORS

35mm Fire Door

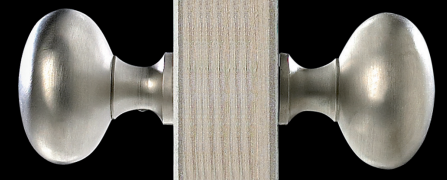
The slim line door with the fire resistant core



# 35mm Fire Door

The slim line door with the fire resistant core

The slim line door with the fire resistant core



JELD-WEN  
WINDOWS & DOORS  
[www.jeld-wen.co.uk](http://www.jeld-wen.co.uk)

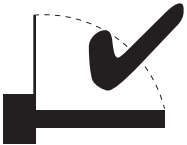
JELD-WEN  
WINDOWS & DOORS

[www.jeld-wen.co.uk](http://www.jeld-wen.co.uk)

# CF572/CF573 35mm FD30 Fire Door Installation Instructions

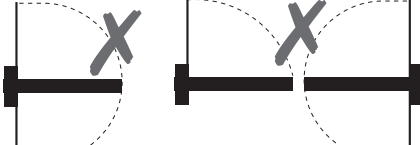
**This door is to be installed as FD30 Doorset.**  
Maximum leaf size 2040mm x 926mm.

**ALLOWED**



Single leaf,  
single acting

**\*NOT ALLOWED**



Single leaf,  
double acting      Double leaf, single or  
double acting

**GLAZING**



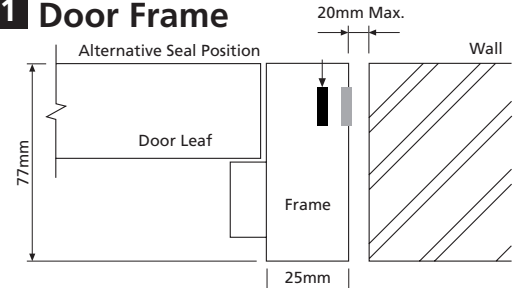
Aperturing to be completed by  
an approved third party BWF  
CERTIFIRE member only

**\*For other configurations, closers and  
glazing of apertures, see the specific  
manufacturer's technical data sheet  
from [www.jeld-wen.co.uk](http://www.jeld-wen.co.uk) or phone  
the company helpline on 0845 122 2890**



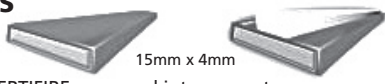
## Installation Instructions All dimensions are in millimetres (mm)

**1 Door Frame**



The frame to wall gap must be filled with stone wool or sealed with intumescent mastic if less than 6mm wide.

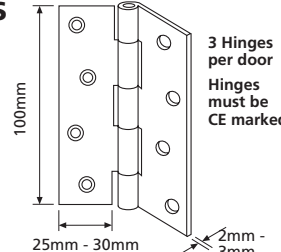
**4 Door Seals**



15mm x 4mm  
certifire Any CERTIFIRE approved intumescent

**5 Hinges & Screws**

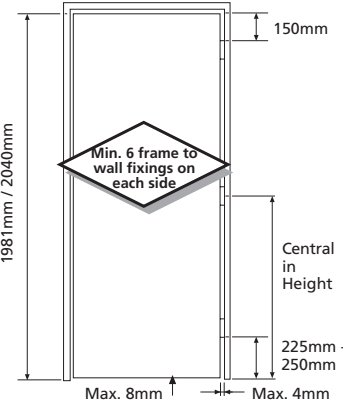
8 Screws per hinge  
Min. 32mm long  
(Minimum 25mm long to MDF frames)



3 Hinges per door  
Hinges must be CE marked

Diameter: 3mm  
OR No. 08

**2 Hinge Position & Fixing Locations**

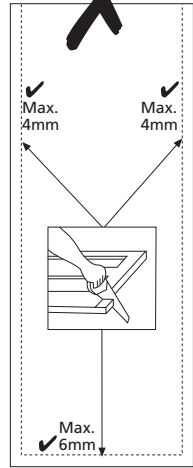


Min. 6 frame to wall fixings on each side

Measure from the top of the floor covering to the underside of the door.

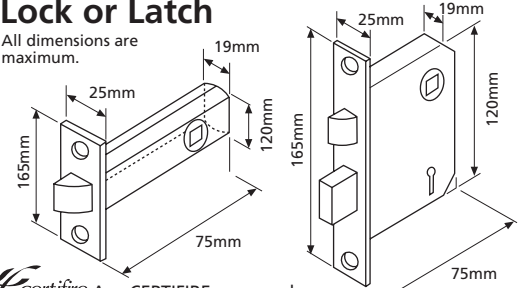
**NOTE:** Where smoke seals are required the threshold gap shall be 3mm maximum unless a threshold seal is fitted.

**3 Trimming of the door**



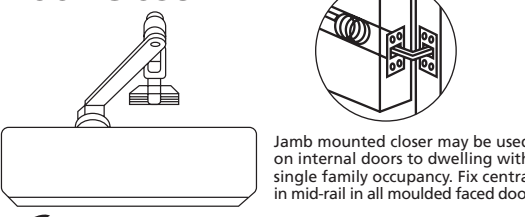
**6 Lock or Latch**

All dimensions are maximum.



certifire Any CERTIFIRE approved

**7 Door Closer**



Jamb mounted closer may be used on internal doors to dwelling with single family occupancy. Fix central in mid-rail in all moulded faced doors.

certifire Any CERTIFIRE approved to BS EN 1154



**CF 572 A12345  
JELD-WEN UK Ltd  
Tel: 0845 122 2890**

Fire Door Certification invalid unless installed and maintained exactly in accordance with Manufacturer's instructions and this label is retained unmarked and not removed.

**CERTIFIED  
FIRE  
DOOR**  
DO NOT REMOVE LABEL

**FD  
30**



**NEVER REMOVE THIS TAMPER EVIDENT LABEL FROM THE TOP EDGE OF THE DOOR LEAF**