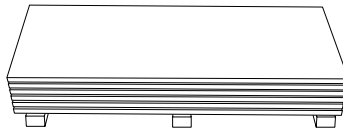


**CF192
FD30
Fire Door**

Storage
Store doors in dry conditions on 3 equally spaced lever bearers.

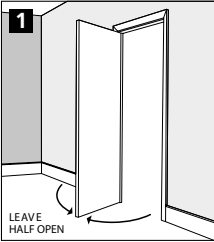


JELD-WEN

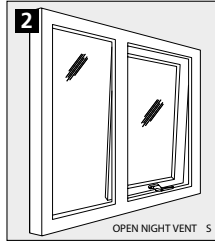
Installation

- Do not install in buildings immediately after plastering or other wet trades. To ensure good, door performance, particularly in new build situations.

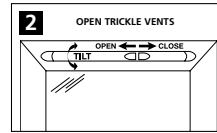
1 Keep doors half open.



2 Open trickle vents and set window sash on



night vent position 24 hours a day. This will ensure a constant flow of dry air from outside, taking away any damp air from inside the property.

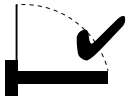


3 We do not recommend the use of gas fired heaters in new build situations due to the release of carbon dioxide & water vapour adding further moisture to the air.



Door configurations and sizes

Allowed

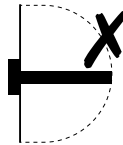


Max door size
2040mm x 926mm
Single leaf,
single acting

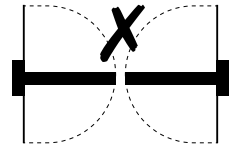
Not allowed



Double leaf,
single acting



Single leaf,
double acting



Double leaf,
double acting

Glazing & Air transfer grilles

Glazing and cutting apertures for air transfer grilles may ONLY be carried out by Prime Door Manufacturers or BWF-Certifire Licensed Processors.

Both leaves of pairs must be similarly glazed



IMPORTANT

This door should always be fitted in conjunction with the correct technical data sheet available at www.jeld-wen.co.uk or phone **0845 122 2891**



**CF192 A12345
JELD-WEN UK Ltd
Tel: 0845 122 2890**

Fire Door Certification invalid unless installed and maintained exactly in accordance with Manufacturer's instructions and this label is retained unmarked and not removed.



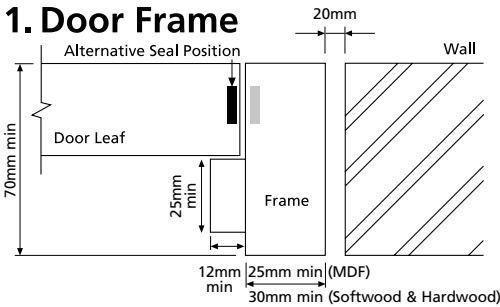
**FD
30**

NEVER REMOVE THIS TAMPER EVIDENT LABEL FROM THE TOP EDGE OF THE DOOR LEAF

Installation Instructions

All Dimensions are in Millimetres (mm)

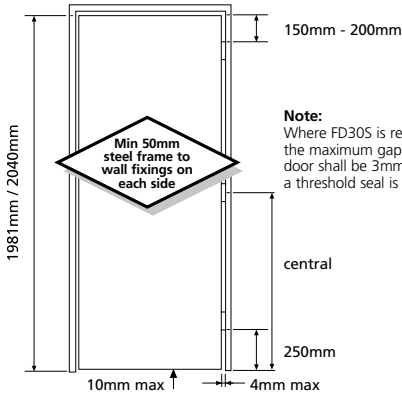
1. Door Frame



The frame to wall gap must be filled with stone wool or sealed with intumescent mastic if less than 6mm wide.

Allowed door frame materials; Softwood or hardwood* 440kg/m³, MDF 720kg/m³ minimum. *For species detail please refer to the technical data sheet.

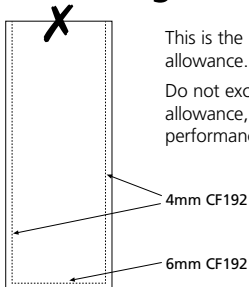
2. Hinge Position & Fixing Locations



Note: Where FD30S is required the maximum gap under door shall be 3mm unless a threshold seal is fitted.

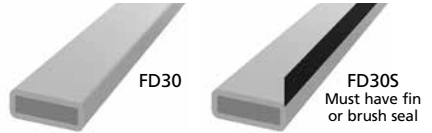
Measure from the top of the floor covering to the underside of the door.

3. Trimming of the door



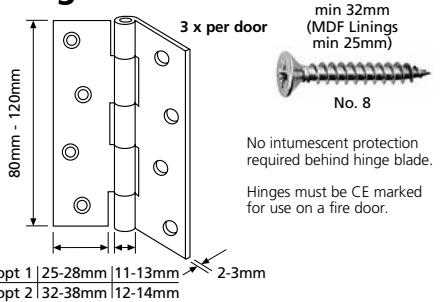
This is the maximum trim allowance. Do not exceed recommended allowance, this will affect fire performance.

4. Door Seals



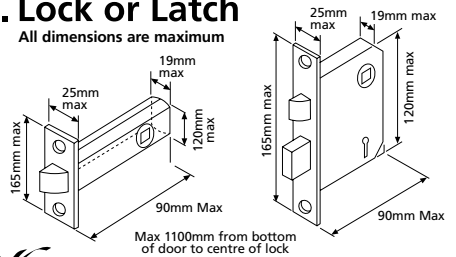
For single acting, single leaf – Certifire approved 15mm x 4mm intumescent fitted to the centre of the frame reveal in the head and both jambs, or fitted central to the door leaf's thickness at the head and vertical edges.

5. Hinges & Screws



6. Lock or Latch

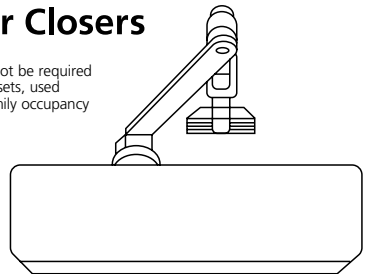
All dimensions are maximum



certifire Any Certifire approved lock or latch, must be CE marked.

7. Door Closers

A door close is not required for latched doorsets, used within single family occupancy dwellings.



certifire Any Certifire approved closer to BS EN 1154, may be fitted subject to restrictions on use outlined the Certifire approval for the closer.