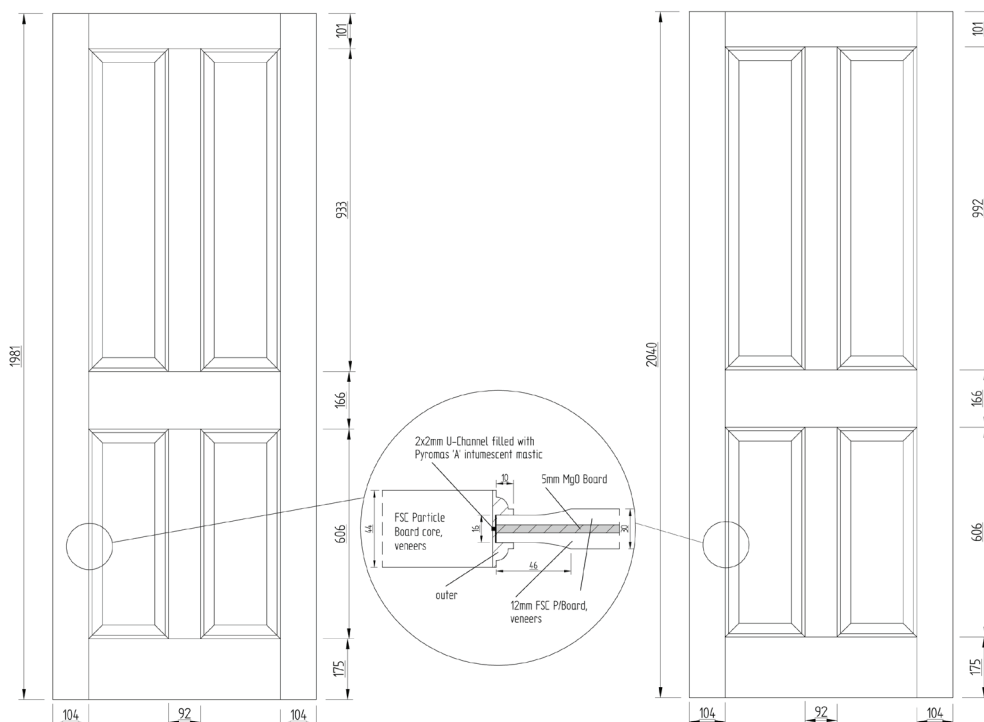


OREGON

WHITE OAK 4 PANEL FD30 – INTERNAL FIRE DOOR



SPECIFICATIONS

Veneer Species:

American white oak

Veneer Thickness:

0.6mm

Edge Lippings:

15mm American white oak

Top & Bottom Lippings:

15mm American white oak

Panel Thickness:

30mm Particle board / MGO board

Moulding Size & Profile:

10mm Ovolo

Stile & Rail Core:

Particle board

Construction:

Tongue & groove joint with dowel and glue

Glazing:

N/A

Packaging:

Shrinkwrap with plastic edge corner protectors.

A4 paper fitting instruction.

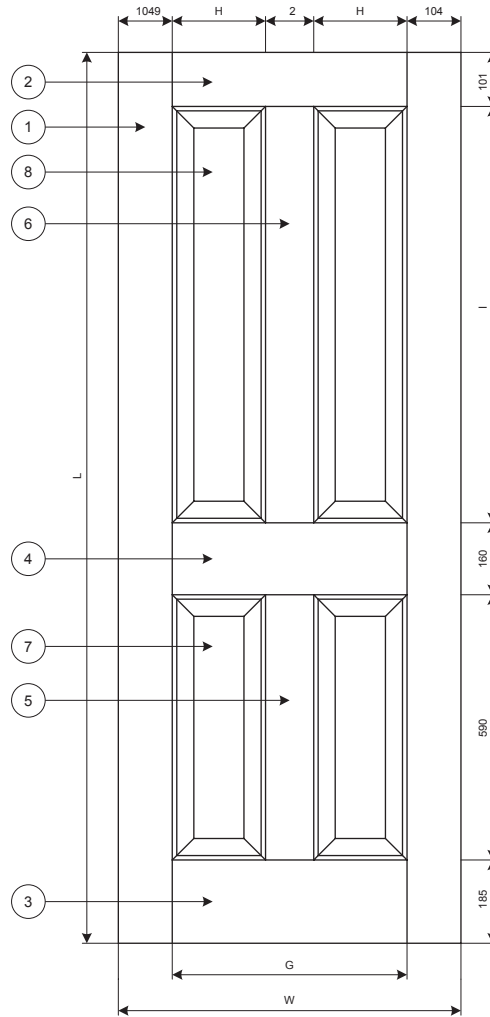
BWF-Certifire label to top edge



5 year guarantee against manufacturing defects

OREGON

WHITE OAK 4 PANEL FLUSH BEAD – INTERNAL DOOR (IMPERIAL)



SPECIFICATIONS

Veneer Species:

American white oak

Veneer Thickness:

0.6mm

Edge Lippings:

10mm KSK

Top & Bottom Lippings:

10mm KSK

Panel Thickness:

19mm Particle board or MDF

Moulding Size & Profile:

10mm Ovolo

Stile & Rail Core:

Particle board

Construction:

Tongue & groove joint with dowel and glue

Glazing:

N/A

Packaging:

Shrinkwrap with plastic edge corner protectors.

A4 paper fitting instruction

8	2	Top Panels	$(L-2) \times (H-2) \times 19$
7	2	Bottom Panels	$588 \times (H-2) \times 19$
6	1	Top Mullion	$(L) \times 110 \times 35$
5	1	Bottom Mullion	$590 \times 110 \times 35$
4	1	Mid Rail	$(G) \times 178 \times 35$
3	1	Bottom Rail	$(G) \times 198 \times 35$
2	1	Top Rail	$(G) \times 113 \times 35$
1	2	Stiles	$(L+7) \times 113 \times 35$
ITEM	QTY	PART NAME	SIZE

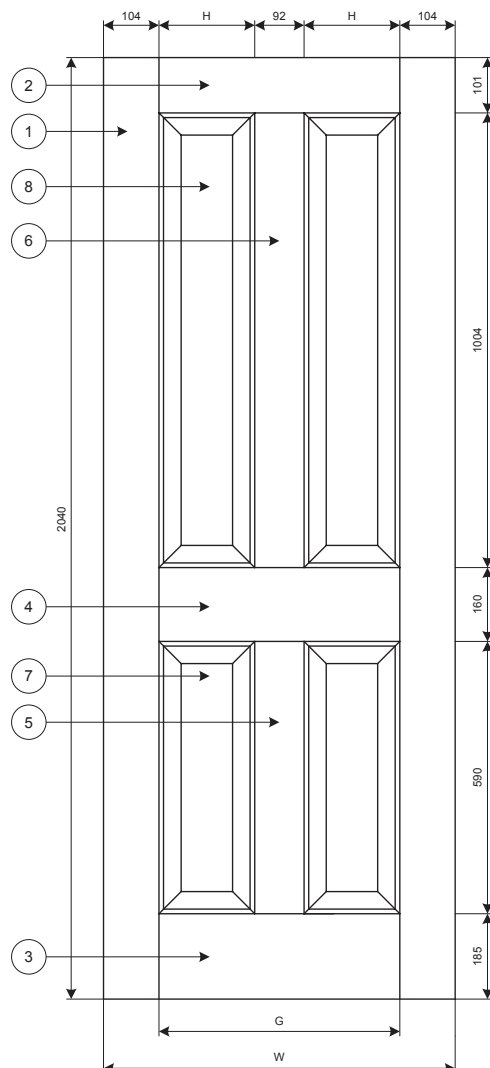
28WOAK4F	2032	813	605	256.5	996
29WOAK4F	1981	838	630	269	945
26WOAK4F	1981	762	554	231	945
23WOAK4F	1981	686	478	193	945
20WOAK4F	1981	610	402	155	945
19WOAK4F	1981	533	325	116.5	945
JWUK CODE	L	W	G	H	I



5 year guarantee against manufacturing defects

OREGON

WHITE OAK 4 PANEL FLUSH BEAD – INTERNAL DOOR (METRIC)



SPECIFICATIONS

Veneer Species:

American white oak

Veneer Thickness:

0.6mm

Edge Lippings:

10mm KSK

Top & Bottom Lippings:

10mm KSK

Panel Thickness:

19mm Particle board or MDF

Moulding Size & Profile:

10mm Ovolo

Stile & Rail Core:

Particle board

Construction:

Tongue & groove joint with dowel and glue

Glazing:

N/A

Packaging:

Shrinkwrap with plastic edge corner protectors.

A4 paper fitting instruction

ITEM	QTY	PART NAME	SIZE
8	2	Top Panels	1002 x (H - 2) x 19
7	2	Bottom Panels	588 x (H - 2) x 19
6	1	Top Mullion	1004 x 110 x 40
5	1	Bottom Mullion	590 x 110 x 40
4	1	Mid. Rail	(G) x 178 x 40
3	1	Bottom Rail	(G) x 198 x 40
2	1	Top Rail	(G) x 113 x 40
1	2	Stiles	2047 x 113 x 40

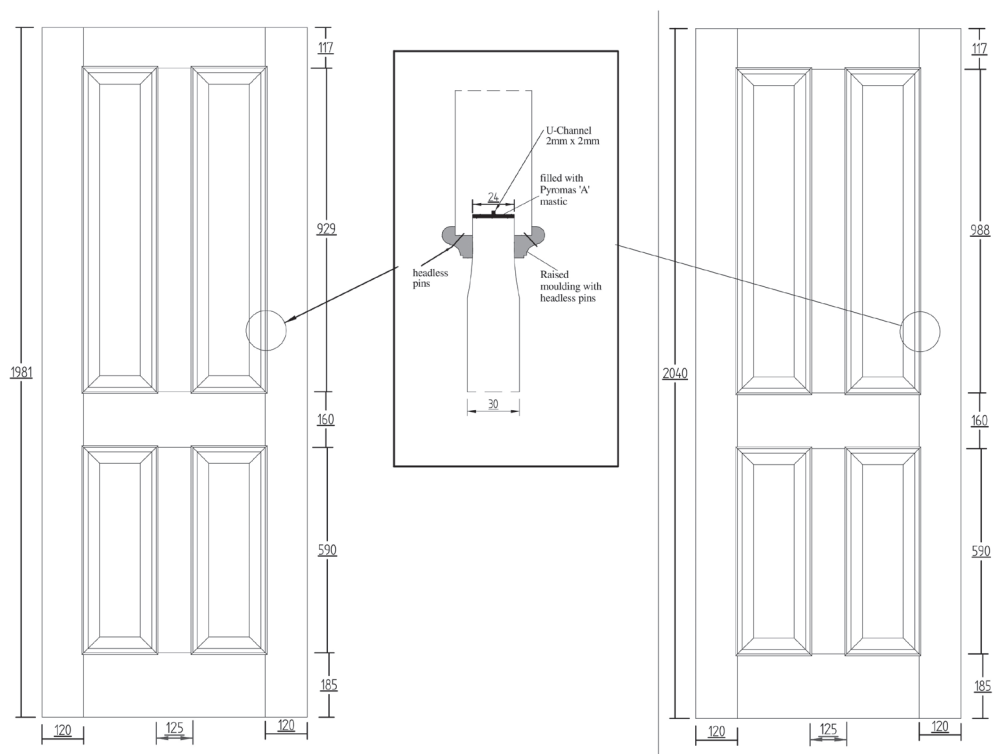
JWUK CODE	L	W	G	H
826WOAK4F	2040	826	618	263
726WOAK4F	2040	726	518	213
626WOAK4F	2040	626	418	163



5 year guarantee against manufacturing defects

OREGON

WHITE OAK 4 PANEL RAISED BEAD FD30 44mm – INTERNAL FIRE DOOR



SPECIFICATIONS

Veneer Species:

American white oak

Veneer Thickness:

0.6mm

Edge Lippings:

15mm American white oak

Top & Bottom Lippings:

15mm American white oak

Panel Thickness:

30mm Particle board /
MGO board

Moulding Size & Profile:

10mm x 20mm Ovolo

Stile & Rail Core:

Particle board

Construction:

Tongue & groove joint with dowel and glue

Glazing:

N/A

Packaging:

Shrinkwrap with plastic edge corner protectors.

Particle board strips to protect raised mould.

A4 paper fitting instruction.

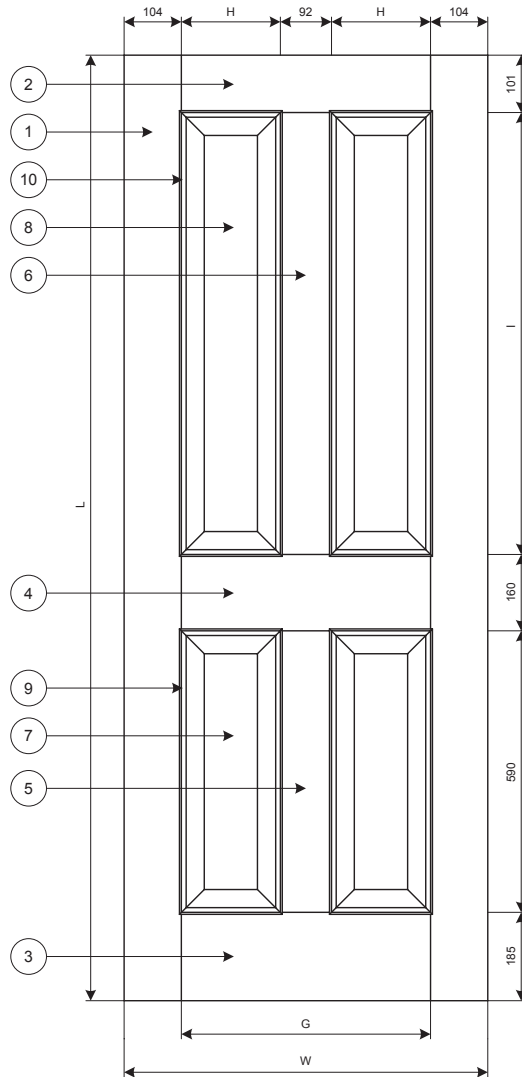
BWF-Certifire label to top edge



5 year guarantee
against manufacturing
defects

OREGON

WHITE OAK 4 PANEL RAISED BEAD – INTERNAL DOOR (IMPERIAL)



SPECIFICATIONS

Veneer Species:

American white oak

Veneer Thickness:

0.6mm

Edge Lippings:

10mm KSK

Top & Bottom Lippings:

10mm KSK

Panel Thickness:

19mm Particle board or MDF

Moulding Size & Profile:

10mm x 20mm Ovolo

Stile & Rail Core:

Particle board

Construction:

Tongue & groove joint with dowel and glue

Glazing:

N/A

Packaging:

Shrinkwrap with plastic edge corner protectors.

Particle board strips to protect raised mould.

A4 paper fitting instruction

ITEM	QTY	PART NAME	SIZE
10	4	Raised Mould II	$(1 + 8) \times (H + 8) \times 14.5$
9	4	Raised Mould I	$598 \times (H + 8) \times 14.5$
8	2	Top Panels	$(1 - 2) \times (H - 2) \times 19$
7	2	Bottom Panels	$588 \times (H - 2) \times 19$
6	1	Top Mullion	$(1) \times 92 \times 35$
5	1	Bottom Mullion	$590 \times 92 \times 35$
4	1	Mid. Rail	$(G + 30) \times 160 \times 35$
3	1	Bottom Rail	$(G + 30) \times 189 \times 35$
2	1	Top Rail	$(G + 30) \times 104 \times 35$
1	2	Stiles	$(L + 7) \times 104 \times 35$

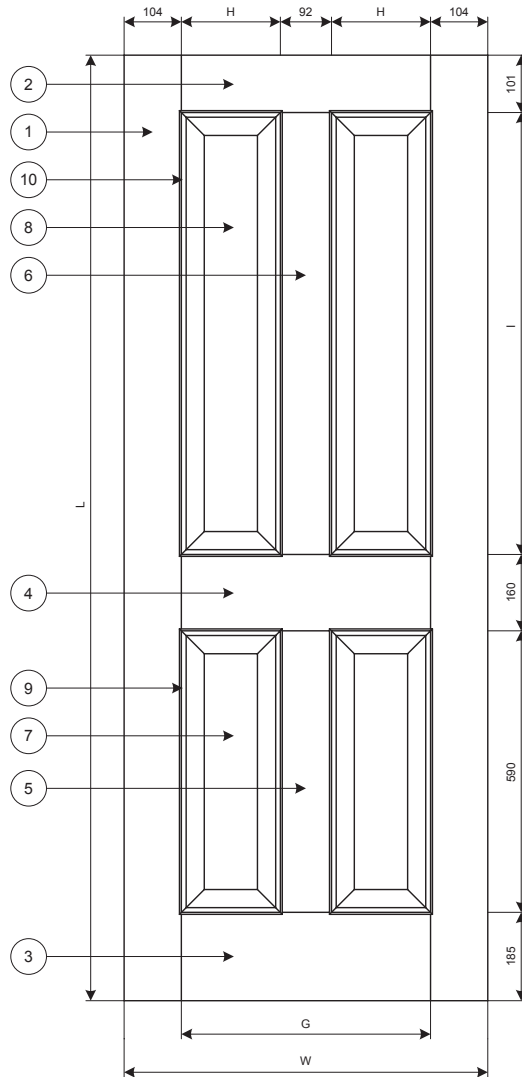
JWUK CODE	L	W	G	H	I
28WOAK4B	2032	813	605	256.5	996
29WOAK4B	1981	838	630	269	945
26WOAK4B	1981	762	554	231	945
23WOAK4B	1981	686	478	193	945
20WOAK4B	1981	610	402	155	945



5 year guarantee
against manufacturing
defects

OREGON

WHITE OAK 4 PANEL RAISED BEAD – INTERNAL DOOR (METRIC)



SPECIFICATIONS

Veneer Species:

American white oak

Veneer Thickness:

0.6mm

Edge Lippings:

10mm KSK

Top & Bottom Lippings:

10mm KSK

Panel Thickness:

19mm Particle board or MDF

Moulding Size & Profile:

10mm x 20mm Ovolo

Stile & Rail Core:

Particle board

Construction:

Tongue & groove joint with dowel and glue

Glazing:

N/A

Packaging:

Shrinkwrap with plastic edge corner protectors.

Particle board strips to protect raised mould.

A4 paper fitting instruction

ITEM	QTY	PART NAME	SIZE
10	4	Raised Mould II	$(I + 8) \times (H + 8) \times 14.5$
9	4	Raised Mould I	$598 \times (H + 8) \times 14.5$
8	2	Top Panels	$(I - 2) \times (H - 2) \times 19$
7	2	Bottom Panels	$588 \times (H - 2) \times 19$
6	1	Top Mullion	$(I) \times 92 \times 35$
5	1	Bottom Mullion	$590 \times 92 \times 35$
4	1	Mid. Rail	$(G + 30) \times 160 \times 35$
3	1	Bottom Rail	$(G + 30) \times 189 \times 35$
2	1	Top Rail	$(G + 30) \times 104 \times 35$
1	2	Stiles	$(L + 7) \times 104 \times 35$

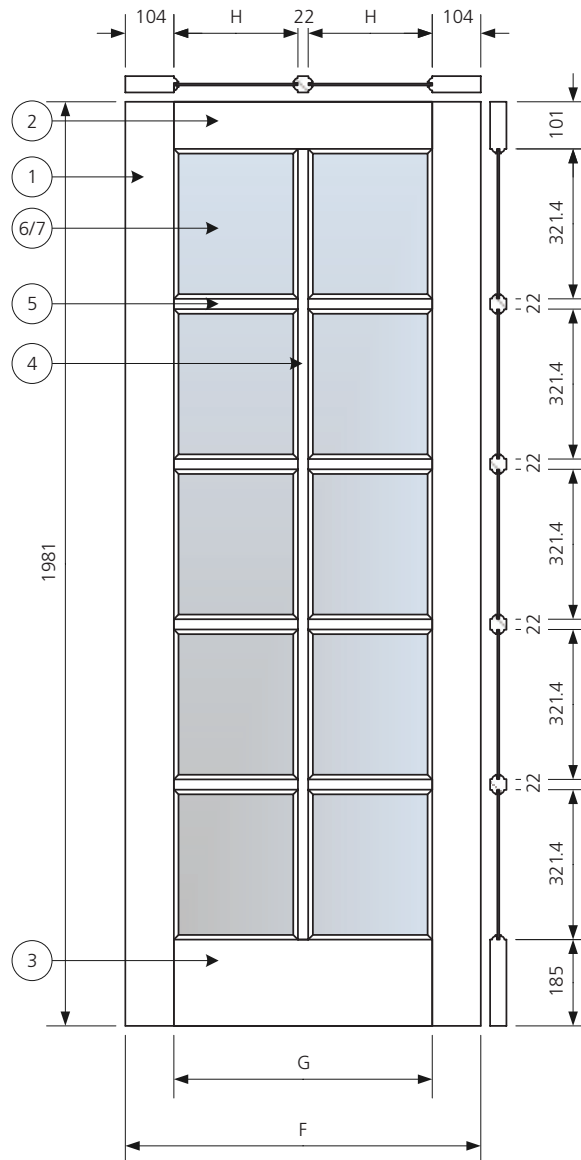
JWUK CODE	L	W	G	H	I
28WOAK4B	2032	813	605	256.5	996
29WOAK4B	1981	838	630	269	945
26WOAK4B	1981	762	554	231	945
23WOAK4B	1981	686	478	193	945
20WOAK4B	1981	610	402	155	945



5 year guarantee against manufacturing defects

OREGON

WHITE OAK 10 LIGHT CLEAR GLAZED FLUSH BEAD – INTERNAL DOOR



SPECIFICATIONS

Veneer Species:

American white oak

Veneer Thickness:

0.6mm

Edge Lippings:

10mm KSK

Top & Bottom Lippings:

10mm KSK

Panel Thickness:

N/A

Moulding Size & Profile:

10mm x 20mm Ovolo

Stile & Rail Core:

Particle board

Construction:

Tongue & groove joint with dowel and glue

Glazing:

4mm clear toughened

Packaging:

Shrinkwrap with plastic edge corner protectors.

A4 paper fitting instruction

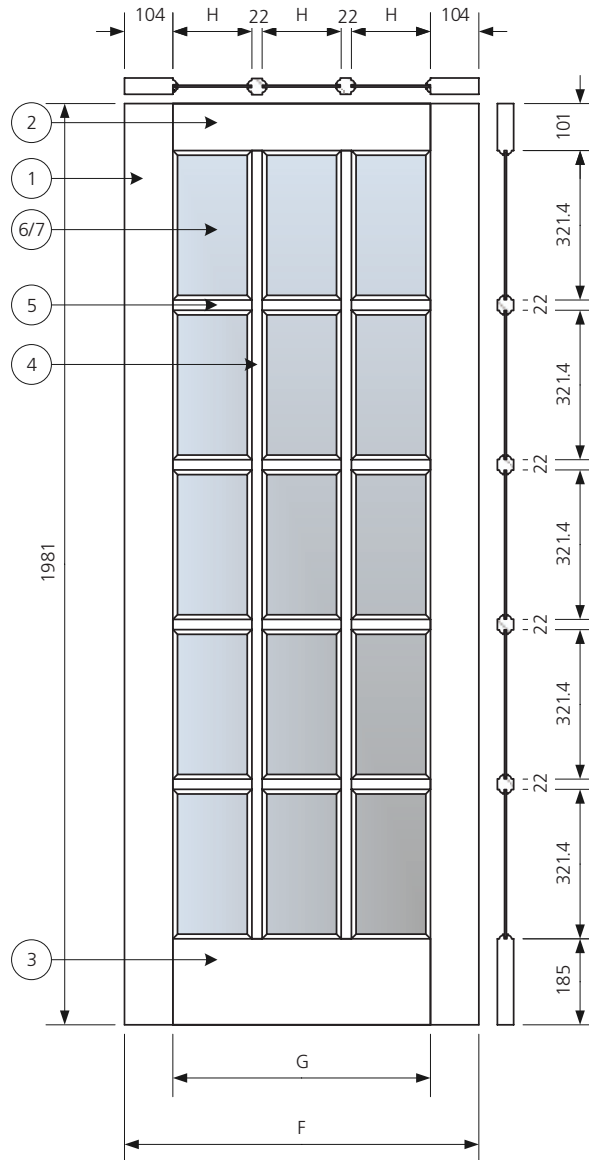
7	10	Glass Size	318.4 x 263 x 5
6	10	Glass Opening	321.4 x 266
5	4	Horizontal G. Bars	554 x 42 x 35
4	1	Vertical G. Bars	1695 x 42 x 35
3	1	Bottom Rail	554 x 199 x 35
2	1	Top Rail	554 x 114 x 35
1	2	Stiles	1988 x 114 x 35
ITEM	QTY	PRODUCT CODE	SIZE



5 year guarantee against manufacturing defects

OREGON

WHITE OAK 15 LIGHT CLEAR GLAZED FLUSH BEAD – INTERNAL DOOR



SPECIFICATIONS

Veneer Species:

American white oak

Veneer Thickness:

0.6mm

Edge Lippings:

10mm KSK

Top & Bottom Lippings:

10mm KSK

Panel Thickness:

N/A

Moulding Size & Profile:

10mm x 20mm Ovolo

Stile & Rail Core:

Particle board

Construction:

Tongue & groove joint with dowel and glue

Glazing:

4mm clear toughened

Packaging:

Shrinkwrap with plastic edge corner protectors.

A4 paper fitting instruction

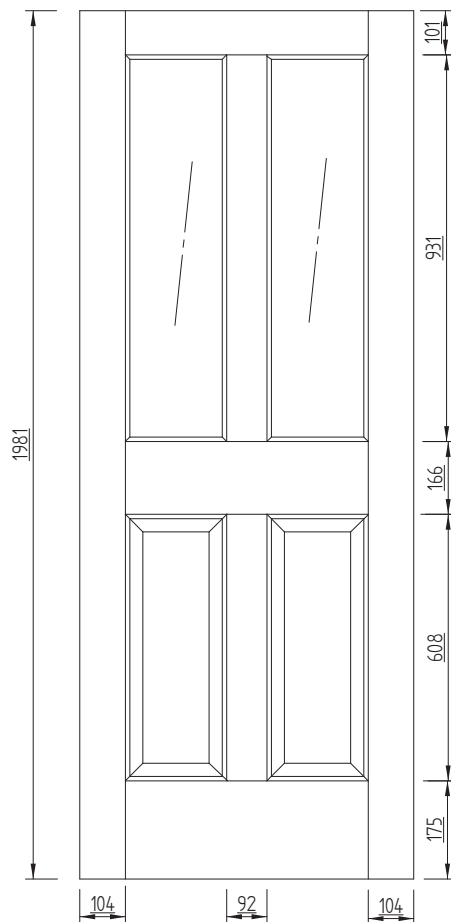
7	15	Glass Size	318.4 x 167 x 5
6	15	Glass Opening	321.4 x 170
5	4	Horizontal G. Bars	554 x 42 x 35
4	2	Vertical G. Bars	1695 x 42 x 35
3	1	Bottom Rail	554 x 199 x 35
2	1	Top Rail	554 x 114 x 35
1	2	Stiles	1988 x 114 x 35
ITEM	QTY	PRODUCT CODE	SIZE



5 year guarantee
against manufacturing
defects

OREGON

MACKINTOSH WHITE OAK 2 LIGHT – INTERNAL DOOR



SPECIFICATIONS

Veneer Species:

American white oak

Veneer Thickness:

0.6mm

Edge Lippings:

10mm KSK

Top & Bottom Lippings:

10mm KSK

Panel Thickness:

19mm Particle board or MDF

Moulding Size & Profile:

10mm Ovolo

Stile & Rail Core:

Particle board

Construction:

Tongue & groove joint with dowel and glue

Glazing:

4mm decorative toughened

Packaging:

Shrinkwrap with plastic edge corner protectors.

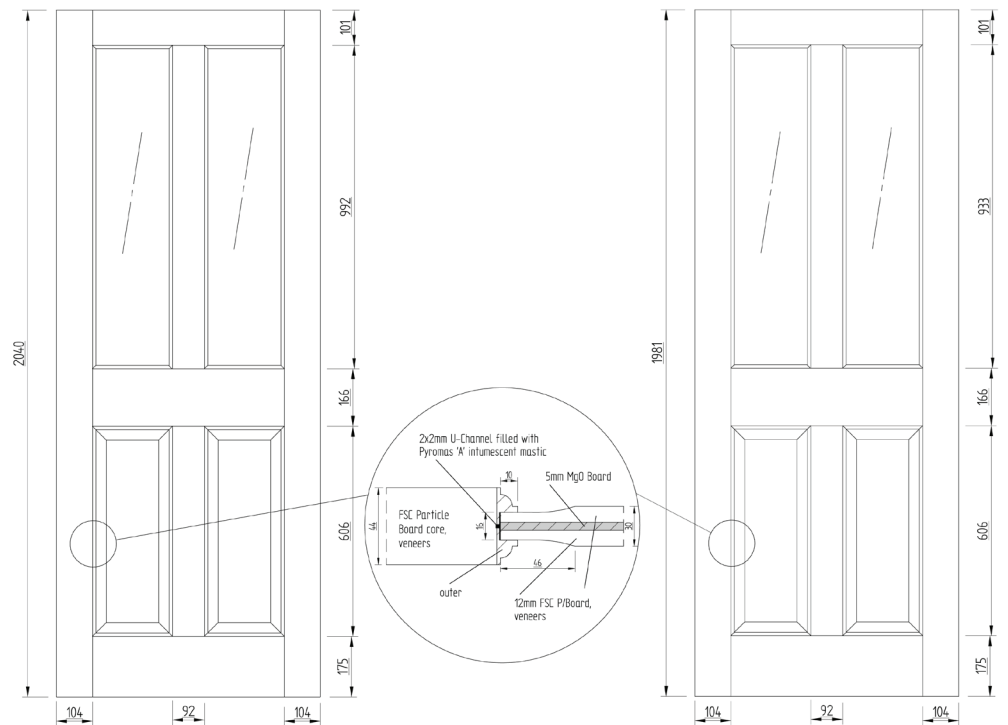
A4 paper fitting instruction



5 year guarantee against manufacturing defects

OREGON

WHITE OAK 2 LIGHT CLEAR GLAZED FLUSH BEAD FD30 44mm – INTERNAL FIRE DOOR



SPECIFICATIONS

Veneer Species:

American white oak

Veneer Thickness:

0.6mm

Edge Lippings:

15mm American white oak

Top & Bottom Lippings:

15mm American white oak

Panel Thickness:

30mm Particle board / MGO board

Moulding Size & Profile:

10mm Ovolo

Stile & Rail Core:

Particle board

Construction:

Tongue & groove joint with dowel and glue

Glazing:

7.2mm Pyroshield clear

Packaging:

Shrinkwrap with plastic edge corner protectors.

A4 paper fitting instruction.

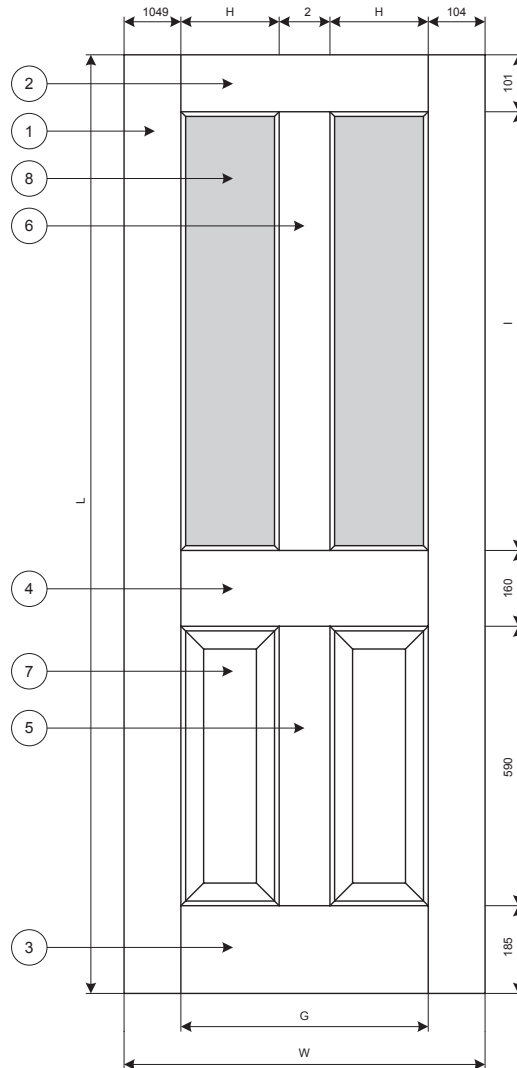
BWF-Certifire label to top edge



5 year guarantee
against manufacturing
defects

OREGON

WHITE OAK 2 LIGHT CLEAR GLAZED FLUSH BEAD – INTERNAL DOOR (IMPERIAL)



SPECIFICATIONS

Veneer Species:

American white oak

Veneer Thickness:

0.6mm

Edge Lippings:

10mm KSK

Top & Bottom Lippings:

10mm KSK

Panel Thickness:

19mm Particle board or MDF

Moulding Size & Profile:

10mm Ovolo

Stile & Rail Core:

Particle board

Construction:

Tongue & groove joint with dowel and glue

Glazing:

6mm toughened clear with paint & peel film

Packaging:

Shrinkwrap with plastic edge corner protectors.

A4 paper fitting instruction

ITEM	QTY	PRODUCT CODE	SIZE
9	2	Glass Size	(I - 3) x (H - 3)
8	2	Glass Opening	(I) x (H)
7	2	Panel	588 x (H - 2) x 19
6	1	Mullion II	(I) x 110 x 35
5	1	Mullion I	590 x 110 x 35
4	1	Middle Rail	(G) x 178 x 35
3	1	Bottom Rail	(G) x 198 x 35
2	1	Top Rail	(G) x 113 x 35
1	2	Stiles	(L + 7) x 113 x 35

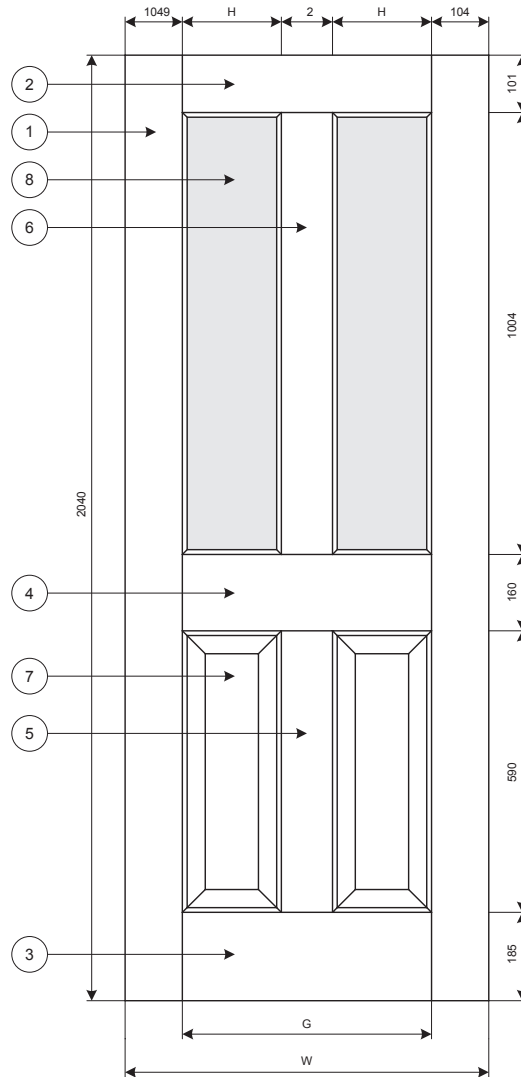
ITEM	QTY	PRODUCT CODE	SIZE		
28OAK4F+BGC	2032	813	605	256.5	996
29OAK4F+BGC	1981	838	630	269	945
26OAK4F+BGC	1981	762	554	231	945
23OAK4F+BGC	1981	686	478	193	945
20OAK4F+BGC	1981	610	402	155	945
19OAK4F+BGC	1981	533	325	116.5	945
JWUK CODE	L	W	G	H	I



5 year guarantee against manufacturing defects

OREGON

WHITE OAK 2 LIGHT CLEAR GLAZED FLUSH BEAD – INTERNAL DOOR (METRIC)



SPECIFICATIONS

Veneer Species:

American white oak

Veneer Thickness:

0.6mm

Edge Lippings:

10mm KSK

Top & Bottom Lippings:

10mm KSK

Panel Thickness:

19mm Particle board or MDF

Moulding Size & Profile:

10mm Ovolo

Stile & Rail Core:

Particle board

Construction:

Tongue & groove joint with dowel and glue

Glazing:

6mm toughened clear with paint & peel film

Packaging:

Shrinkwrap with plastic edge corner protectors.

A4 paper fitting instruction

9	2	Glass Size	1001 x (H - 3)
8	2	Glass Opening	1004 x (H)
7	2	Panel	588 x (H - 2) x 19
6	1	Mullion II	1004 x 110 x 40
5	1	Mullion I	590 x 110 x 40
4	1	Mid. Rail	(G) x 178 x 40
3	1	Bottom Rail	(G) x 198 x 40
2	1	Top Rail	(G) x 113 x 40
1	2	Stiles	2047 x 113 x 40
ITEM	QTY	PRODUCT CODE	SIZE

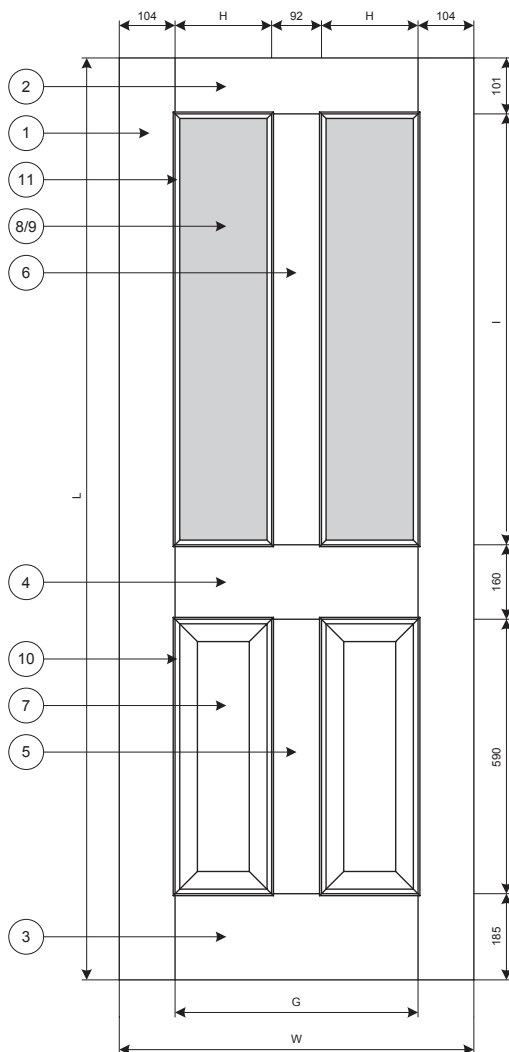
826OAK4F+BGC	2040	826	618	263
726OAK4F+BGC	2040	726	518	213
JWUK CODE	L	W	G	H



5 year guarantee against manufacturing defects

OREGON

WHITE OAK 2 LIGHT CLEAR GLAZED RAISED BEAD – INTERNAL DOOR



SPECIFICATIONS

Veneer Species:

American white oak

Veneer Thickness:

0.6mm

Edge Lippings:

10mm KSK

Top & Bottom Lippings:

10mm KSK

Panel Thickness:

19mm Particle board or MDF

Moulding Size & Profile:

10mm x 20mm Ovolo

Stile & Rail Core:

Particle board

Construction:

Tongue & groove joint with dowel and glue

Glazing:

4mm toughened clear, bevelled to one side with paint & peel film

Packaging:

Shrinkwrap with plastic edge corner protectors.

Particle board strips to protect raised mould.

A4 paper fitting instruction

11	4	Raised Mould II	$(1 + 8) \times (H + 8) \times 14.5$
10	4	Raised Mould I	$598 \times (H + 8) \times 14.5$
9	2	Glass Size	$(L - 3) \times (H - 3)$
8	2	Glass Opening	$(L) \times (H)$
7	2	Panel	$588 \times (H - 2) \times 19$
6	1	Mullion II	$(L) \times 92 \times 35$
5	1	Mullion I	$590 \times 92 \times 35$
4	1	Mid. Rail I	$(G + 30) \times 160 \times 35$
3	1	Bottom Rail	$(G + 30) \times 189 \times 35$
2	1	Top Rail	$(G + 30) \times 104 \times 35$
1	2	Stiles	$(L + 7) \times 104 \times 35$
ITEM	QTY	PRODUCT CODE	SIZE

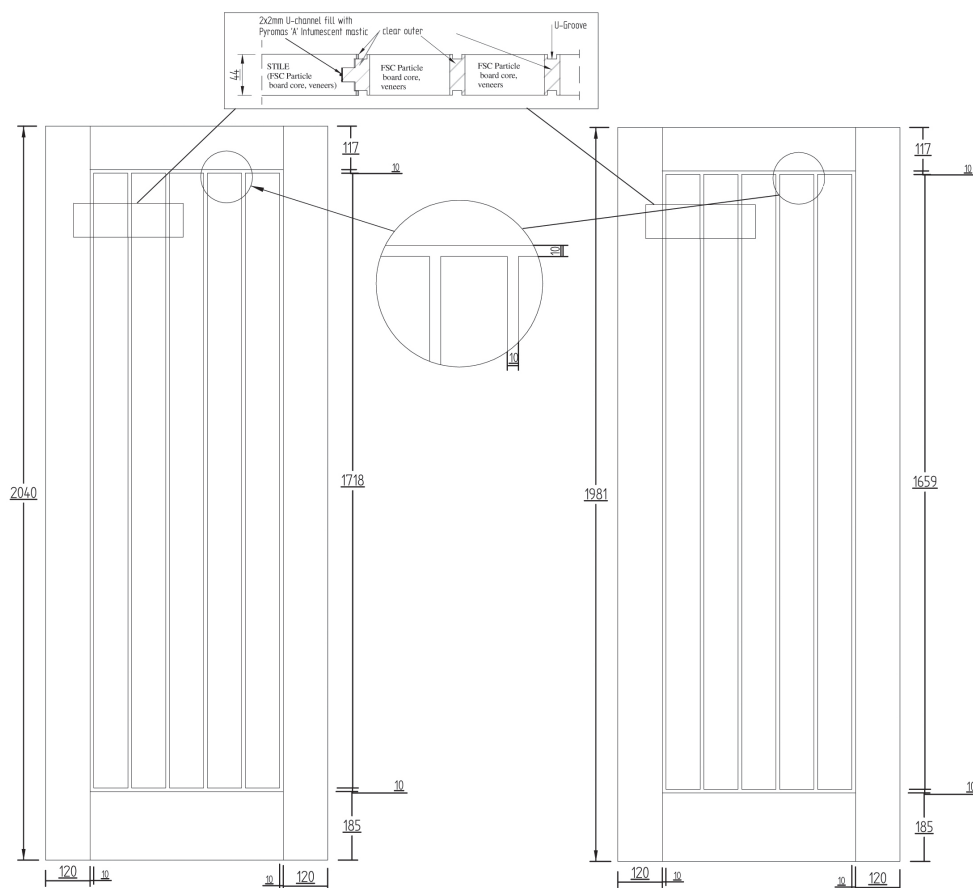
28OAK4B+BGC	2032	813	605	256.5	996
29OAK4B+BGC	1981	838	630	269	945
26OAK4B+BGC	1981	762	554	231	945
23OAK4B+BGC	1981	686	478	193	945
20OAK4B+BGC	1981	610	402	155	945
19OAK4B+BGC	1981	533	325	116.5	945
JWUK CODE	L	W	G	H	I



5 year guarantee
against manufacturing
defects

OREGON

WHITE OAK COTTAGE FD30 44mm – INTERNAL FIRE DOOR



SPECIFICATIONS

Veneer Species:

American white oak

Veneer Thickness:

0.6mm

Edge Lippings:

15mm American white oak

Top & Bottom Lippings:

15mm American white oak

Panel Thickness:

44mm Particle board

Profile:

10mm x 5mm U groove

Stile & Rail Core:

Particle board

Construction:

Tongue & groove joint with dowel and glue

Glazing:

N/A

Packaging:

Shrinkwrap with plastic edge corner protectors.

A4 paper fitting instruction.

BWF-Certifire label to top edge

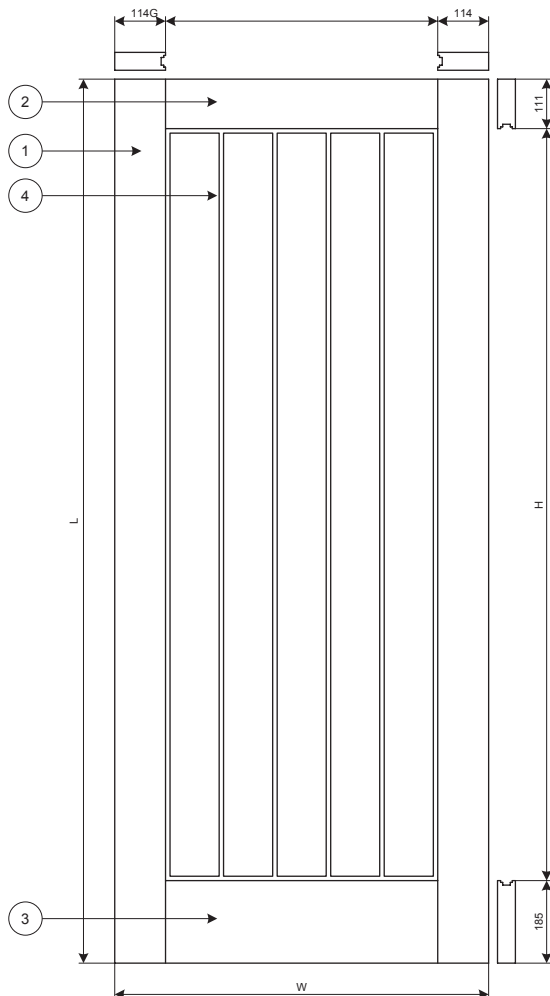


5 year guarantee
against manufacturing
defects

OREGON

WHITE OAK COTTAGE

– INTERNAL DOOR (IMPERIAL)



SPECIFICATIONS

Veneer Species:

American white oak

Veneer Thickness:

0.6mm

Edge Lippings:

10mm American white oak

Top & Bottom Lippings:

10mm American white oak

Panel Thickness:

35mm Particle board

Profile:

10mm x 5mm U groove

Stile & Rail Core:

Particle board

Construction:

Tongue & groove joint with dowel and glue

Glazing:

N/A

Packaging:

Shrinkwrap with plastic edge corner protectors.

A4 paper fitting instruction

ITEM	QTY	PRODUCT CODE	SIZE
4	1	Panel	$(H + 18) \times (G + 18) \times 35$
3	1	Bottom Rail	$(G + 20) \times 189 \times 35$
2	1	Top Rail	$(G + 20) \times 114 \times 35$
1	2	Stiles	$(L + 7) \times 114 \times 35$

JWUK CODE	L	W	G	H
28WOAKFL	2032	813	585	1736
29WOAKFL	1981	838	610	1685
26WOAKFL	1981	762	534	1685
23WOAKFL	1981	686	458	1685
20WOAKFL	1981	610	382	1685
19WOAKFL	1981	533	305	1685

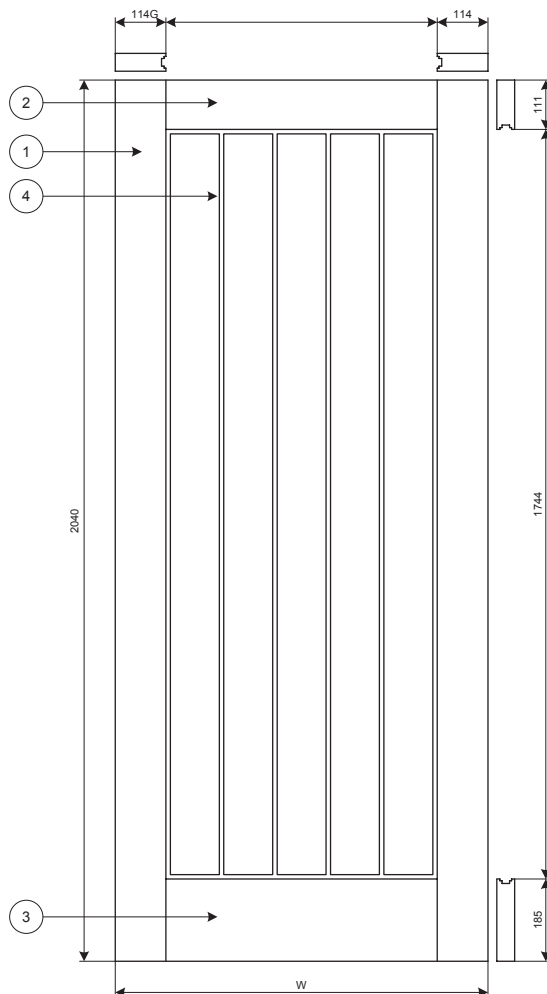


5 year guarantee
against manufacturing
defects

OREGON

WHITE OAK COTTAGE

– INTERNAL DOOR (METRIC)



SPECIFICATIONS

Veneer Species:

American white oak

Veneer Thickness:

0.6mm

Edge Lippings:

10mm KSK

Top & Bottom Lippings:

10mm KSK

Panel Thickness:

35mm Particle board

Profile:

10mm x 5mm U groove

Stile & Rail Core:

Particle board

Construction:

Tongue & groove joint with dowel and glue

Glazing:

N/A

Packaging:

Shrinkwrap with plastic edge corner protectors.

A4 paper fitting instruction

ITEM	QTY	PRODUCT CODE	SIZE
4	1	Panel	1762 x (G + 18) x 40
3	1	Bottom Rail	(G + 20) x 189 x 40
2	1	Top Rail	(G + 20) x 114 x 40
1	2	Stiles	2047 x 114 x 40

826WOAKFL	2040	826	598
726WOAKFL	2040	726	498
626WOAKFL	2040	626	398
JWUK CODE	L	W	G

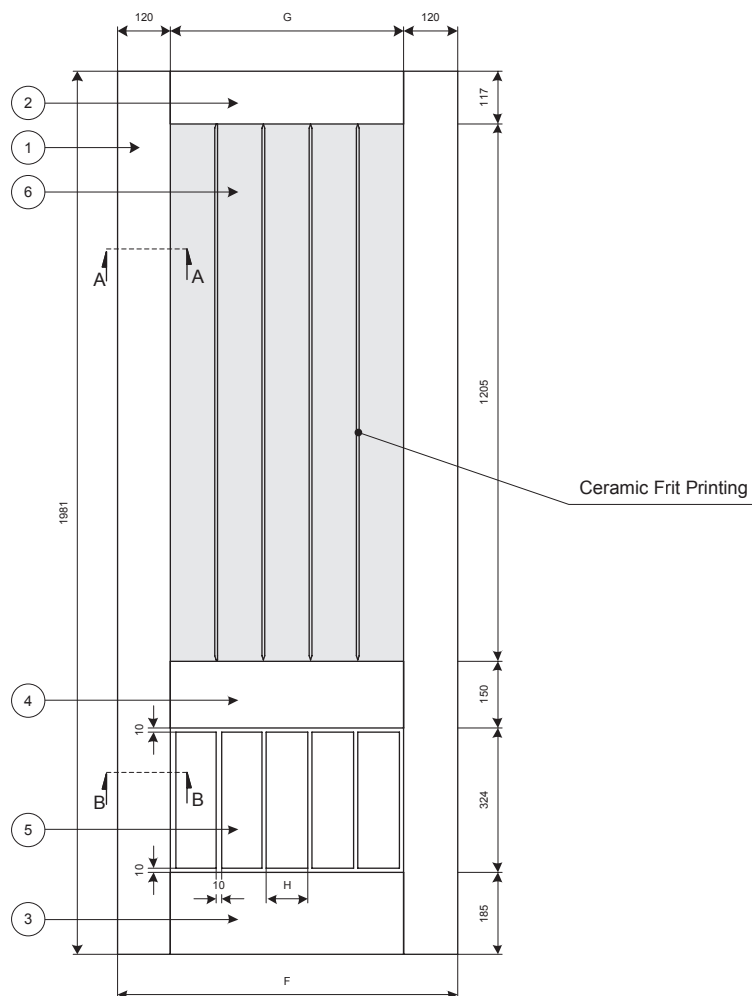


5 year guarantee against manufacturing defects

OREGON

WHITE OAK COTTAGE ETCH GLAZED

– INTERNAL DOOR



SPECIFICATIONS

Veneer Species:

American white oak

Veneer Thickness:

0.6mm

Edge Lippings:

10mm KSK

Top & Bottom Lippings:

10mm KSK

Panel Thickness:

35mm Particle board

Profile:

10mm x 5mm U groove

Stile & Rail Core:

Particle board

Construction:

Tongue & groove joint with dowel and glue

Glazing:

4mm toughened clear with etch bar paint & peel film

Packaging:

Shrinkwrap with plastic edge corner protectors.

A4 paper fitting instruction

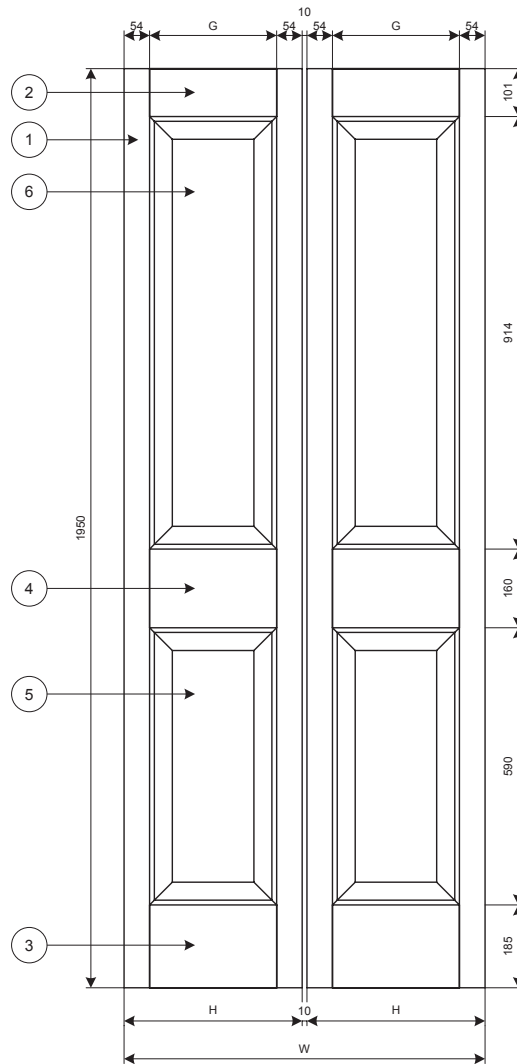
28WOAKFL+GE	2032	813	585	964
29WOAKFL+GE	1981	838	610	913
26WOAKFL+GE	1981	762	534	913
23WOAKFL+GE	1981	686	458	913
20WOAKFL+GE	1981	610	382	913
19WOAKFL+GE	1981	533	305	913
JWUK CODE	L	W	G	H



5 year guarantee
against manufacturing
defects

OREGON

WHITE OAK 4 PANEL BI-FOLD FLUSH BEAD – INTERNAL DOOR



SPECIFICATIONS

Veneer Species:

American white oak

Veneer Thickness:

0.6mm

Edge Lippings:

10mm KSK

Top & Bottom Lippings:

10mm KSK

Panel Thickness:

19mm Particle board or MDF

Moulding Size & Profile:

10mm Ovolo

Stile & Rail Core:

Particle board

Construction:

Tongue & groove joint with dowel and glue

Glazing:

N/A

Packaging:

Shrinkwrap with plastic edge corner protectors.

A4 paper fitting instruction

ITEM	QTY	PRODUCT CODE	SIZE
6	2	Panel II	912 x (G -2) x 19
5	2	Panel I	588 x (G -2) x 19
4	2	Middle Rail	(G) x 178 x 35
3	2	Bottom Rail	(G) x 198 x 35
2	2	Top Rail	(G) x 113 x 35
1	4	Stiles	1957 x 63 x 35

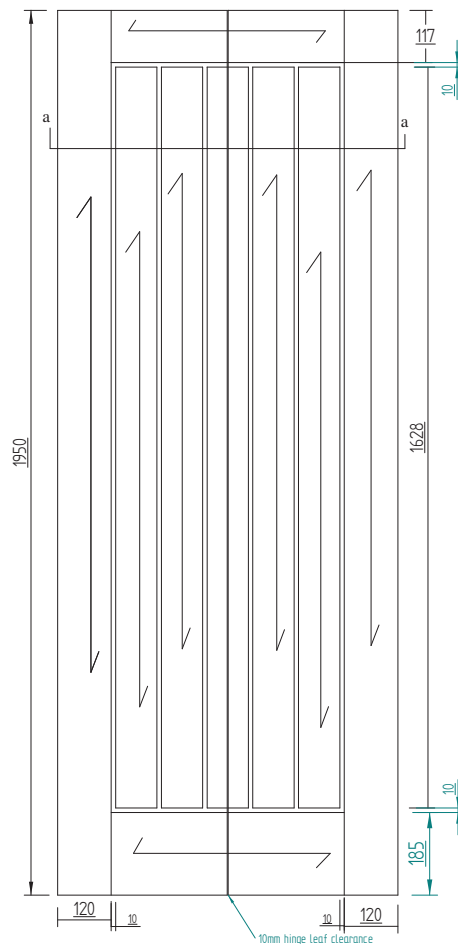
JWUK CODE	L	W	H	G
26WOAK4FBI	1950	762	376	268
20WOAK4FBI	1950	610	300	192



5 year guarantee
against manufacturing defects

OREGON

WHITE OAK COTTAGE BI-FOLD – INTERNAL DOOR



SPECIFICATIONS

Veneer Species:

American white oak

Veneer Thickness:

0.6mm

Edge Lippings:

10mm KSK

Top & Bottom Lippings:

10mm KSK

Panel Thickness:

35mm Particle board

Profile:

10mm x 10mm U groove

Stile & Rail Core:

Particle board

Construction:

Tongue & groove joint with dowel and glue

Glazing:

N/A

Packaging:

Shrinkwrap with plastic edge corner protectors.

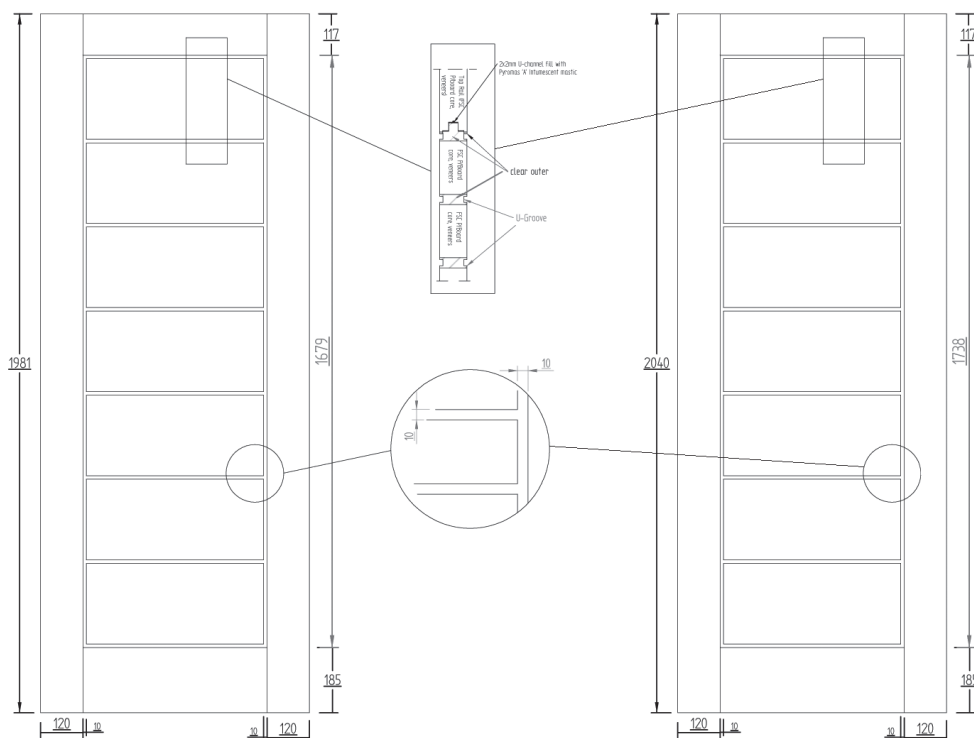
A4 paper fitting instruction



5 year guarantee against manufacturing defects

OREGON

WHITE OAK COTTAGE HORIZONTAL FD30 44mm – INTERNAL FIRE DOOR



SPECIFICATIONS

Veneer Species:

American white oak

Veneer Thickness:

0.6mm

Edge Lippings:

15mm American white oak

Top & Bottom Lippings:

15mm American white oak

Panel Thickness:

44mm Particle board

Profile:

10mm x 5mm U groove

Stile & Rail Core:

Particle board

Construction:

Tongue & groove joint with dowel and glue

Glazing:

N/A

Packaging:

Shrinkwrap with plastic edge corner protectors.

A4 paper fitting instruction.

BWF-Certifire label to top edge.

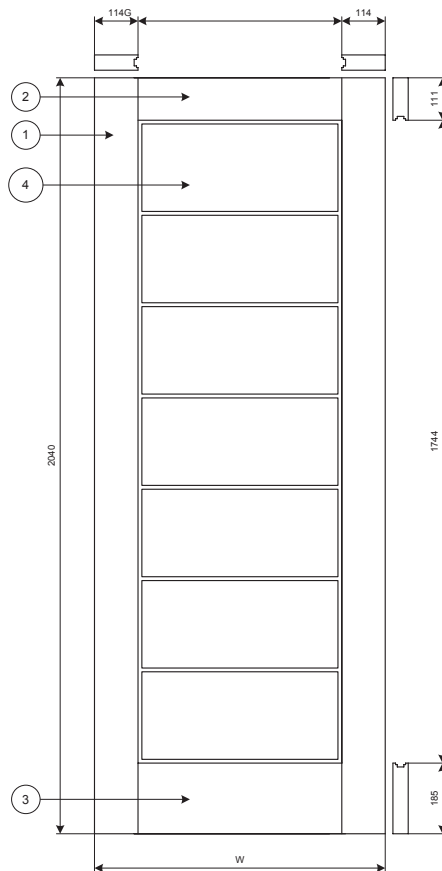


5 year guarantee
against manufacturing
defects

OREGON

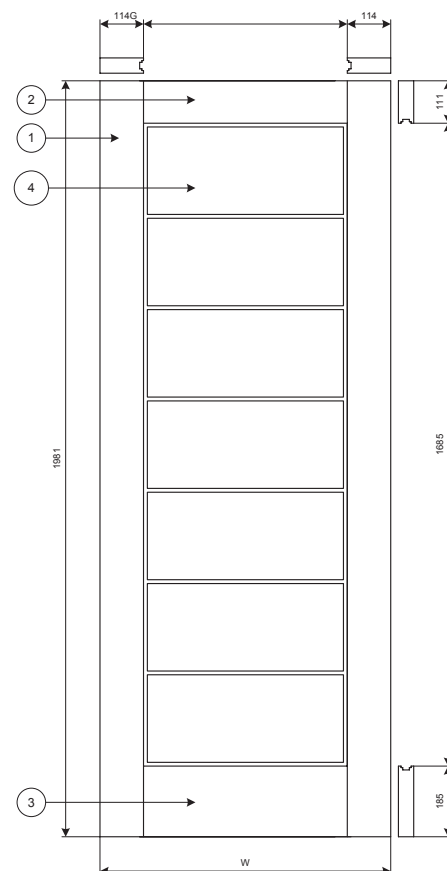
WHITE OAK COTTAGE HORIZONTAL

– INTERNAL DOOR



4	1	Panel	1758 x (G + 14) x 40
3	1	Bottom Rail	(G + 20) x 189 x 40
2	1	Top Rail	(G + 20) x 114 x 40
1	2	Stiles	2047 x 114 x 40
ITEM	QTY	PRODUCT CODE	SIZE

826OAKHFL	2040	826	598
726OAKHFL	2040	726	498
JWUK CODE	L	W	G



4	1	Panel	1699 x (G + 14) x 35
3	1	Bottom Rail	(G + 20) x 189 x 35
2	1	Top Rail	(G + 20) x 114 x 35
1	2	Stiles	1988 x 114 x 35
ITEM	QTY	PRODUCT CODE	SIZE

29OAKHFL	1981	838	610
26OAKHFL	1981	762	534
23OAKHFL	1981	686	458
20OAKHFL	1981	610	382
JWUK CODE	L	W	G

SPECIFICATIONS

Veneer Species:
American white oak

Veneer Thickness:
0.6mm

Edge Lippings:
10mm KSK

Top & Bottom Lippings:
10mm KSK

Panel Thickness:
35mm Particle board

Profile:
10mm x 5mm U groove

Stile & Rail Core:
Particle board

Construction:
Tongue & groove joint with dowel and glue

Glazing:
N/A

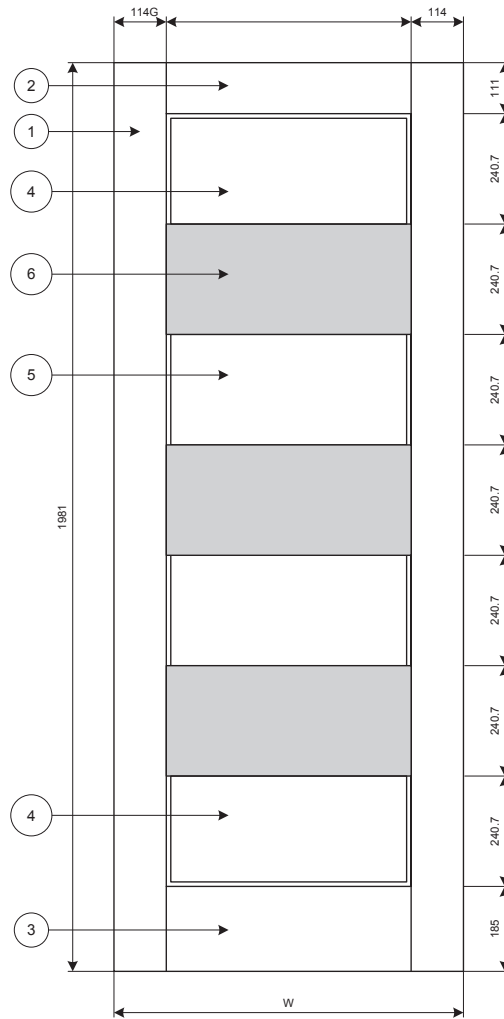
Packaging:
Shrinkwrap with plastic edge corner protectors.
A4 paper fitting instruction



5 year guarantee
against manufacturing defects

OREGON

WHITE OAK COTTAGE HORIZONTAL GLAZED – INTERNAL DOOR



SPECIFICATIONS

Veneer Species:

American white oak

Veneer Thickness:

0.6mm

Edge Lippings:

10mm KSK

Top & Bottom Lippings:

10mm KSK

Panel Thickness:

35mm Particle board

Profile:

10mm x 5mm U groove

Stile & Rail Core:

Particle board

Construction:

Tongue & groove joint with dowel and glue

Glazing:

4mm toughened clear with paint & peel film

Packaging:

Shrinkwrap with plastic edge corner protectors.

A4 paper fitting instruction

6	3	Glass Size	257.7 x (G + 1.7) x 5
6	3	Glass Opening	260.7 x (G + 2.0) x 5.3
5	2	Middle Rail II	(G + 2.0) x 240.7 x 35
4	2	Middle Rail I	(G + 2.0) x 250.7 x 35
3	1	Bottom Rail	(G + 2.0) x 189 x 35
2	1	Top Rail	(G + 2.0) x 114 x 35
1	2	Stiles	1988 x 114 x 35
ITEM	QTY	PRODUCT CODE	SIZE

29OAKHFL+GCF	1981	838	610
26OAKHFL+GCF	1981	762	534
23OAKHFL+GCF	1981	686	458
20OAKHFL+GCF	1981	610	382
JWUK CODE	L	W	G



5 year guarantee
against manufacturing
defects