

RELIABILITY *for real life*®

FD30 & FD60  
FIRE RESISTING  
& ACOUSTIC  
SECURE-FIT®  
DOORSETS  
FITTING & FIXING  
GUIDELINES

24



**CAUTION SAFETY:** This product needs to be installed by a competent tradesperson with assistance. Two people are required to carry out the installation, as some components are heavy. The outer frame requires fixing to the supporting structure above the opening. The opening **MUST** be capable of carrying the load of the doorset in all conditions.

**Please note:** Prior to installing this doorset, inspect for damage and do not proceed to fit if any damage or defect is evident. This doorset should be stored in a dry flat location before installation.



SELECTION

## Pre-installation check

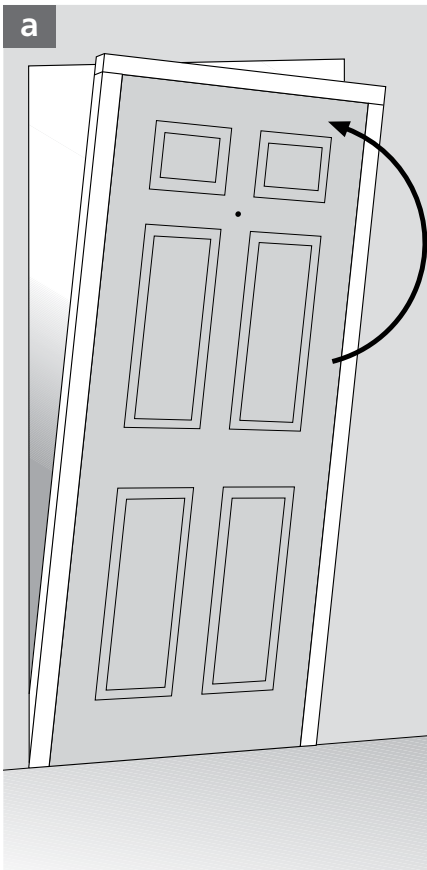
If you are replacing an existing door and frame, measure your opening and the doorset to ensure it will fit - prior to removing existing frame.

Before installing the doorset the structural opening should be cleared of any dust, debris and any old fixings.

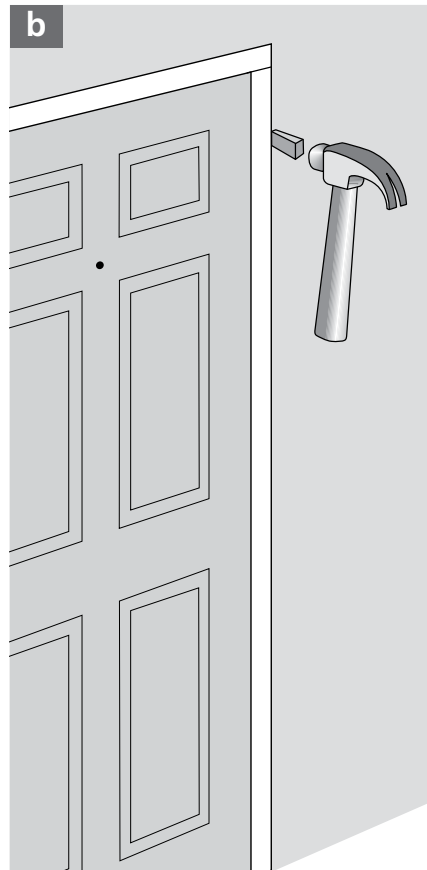
## Tools required

- Masonry drill
- Cordless screwdriver
- Spirit level
- Plastic packers
- Appropriate fixings

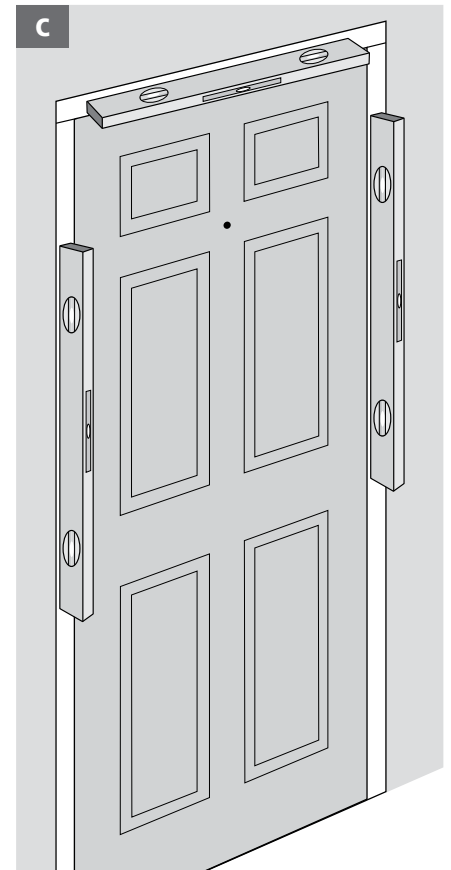
## 1 Installing the doorset into the opening



Offer the doorset into the opening.



Use appropriate plastic packers to hold the doorset in position.



Using a spirit level, check the doorset is square and plumb both horizontally and vertically.

Ensure doorset is not in twist.

Once this is achieved proceed to stage 2.

## 2 Fixing the doorset into the opening

a. Open the door and prepare the fixing holes in the frame at positions shown in the drawing by temporarily removing the intumescent strip as shown on the right and text below.

b. The type of fixing or plug should suit the surrounding opening material i.e. brick, concrete block, aerated block timber etc. Manufacturers instructions must always be followed.

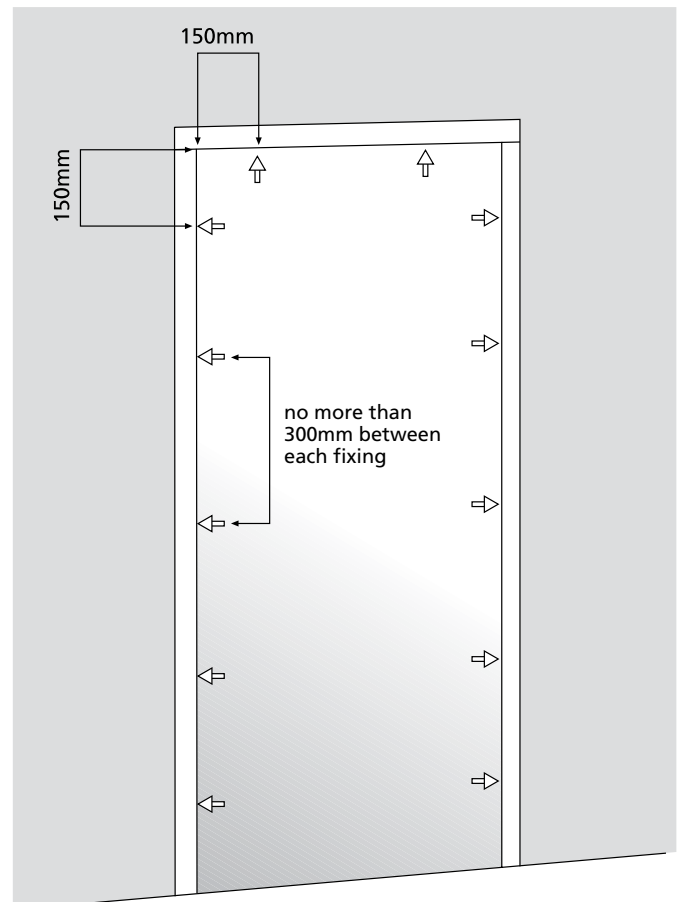
The fixings should be positioned at a maximum of 150mm from each corner and at no more than 300mm between each fixing. This will provide two fixings each to the head and cill and five fixings to each jamb.

c. Using suitable fixing bolts (typically 8 x 100mm bolt, not provided) which give a minimum penetration of 50mm into the surrounding material.

d. Care should be taken not to over-tighten fixings to avoid distortion of the frame.

The frame must be square and plumb. Jambes must be straight on completion to ensure correct operation of the doorset (if not this may result in the door binding on the closing jamb).

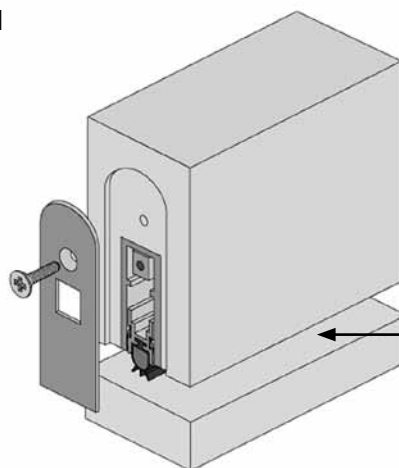
e. Re-insert the intumescent strip into the groove in the frame. **(Take care not to get dust on the self adhesive strip).** Use PVA glue if necessary to help bond.



## 3 Adjusting drop down seal

Self-levelling on uneven surfaces. Can be adjusted by minimum gap 1mm, maximum gap 13mm.

To increase/decrease the gap, pull and twist the protruding strike button on the hinge side clockwise/anti-clockwise.



A 20mm gap is provided for contractor infill-max gap under fire door on completion of installation should not exceed 10mm.

## 4 Post-installation check

Once the doorset has been securely fixed it should be checked for operation by opening and closing the door ensuring that it does not hit the frame at any point. It should be possible to secure the door by the latch with only a light pressure. The top and bottom compression bolts will be activated and engage when the lever handle is lifted. It should be possible to activate the

centre deadbolt with the key. If the operation is not smooth then the fixings should be loosened and the frame adjusted re-secured and checked once more.

**Important:** Any gaps between the frame and the wall must be filled using rockwool or another inert material.

## 5 Decoration

Dependant on which doorset has been supplied, if this is from our unfinished range, decoration should be carried out immediately following installation using either water based or oil based external stain or paint. We recommend at least two coats making sure the first coat is completely dry before applying the second. Always follow the manufacturer's instructions. The face of the door should never be sanded.

If however, the doorset supplied is from our Pre-finished Moulded or Real Wood Veneer range, no further decoration is required.

## 6 Maintenance

The lock should be oiled, using a reputable lubricant four times a year through both compression bolts, the latch and the deadbolt. The lock will not require cleaning and the stainless steel face plate should only be polished with a clean, dry cloth. The handles should not be cleaned with household cleaners or detergents. If the handle does require cleaning; this should only be undertaken with a clean, damp cloth. The finished

paint or stain should be inspected periodically for splitting or flaking. If there is damage then any loose material should be removed and redecorated. The area should then be repainted to the same process originally employed to finish the door set.

Hinges should be lightly oiled to aid smooth closure at similar period.



**JELD-WEN**  
WINDOWS & DOORS